

Revised Record

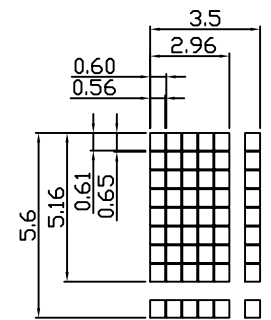
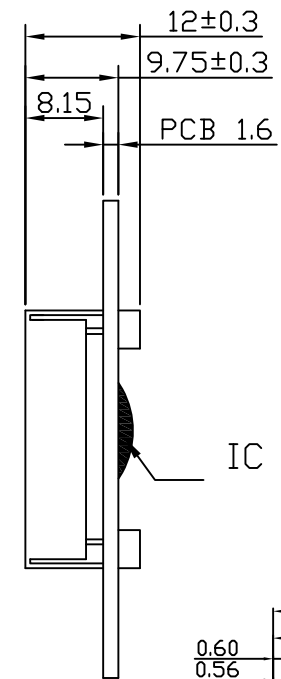
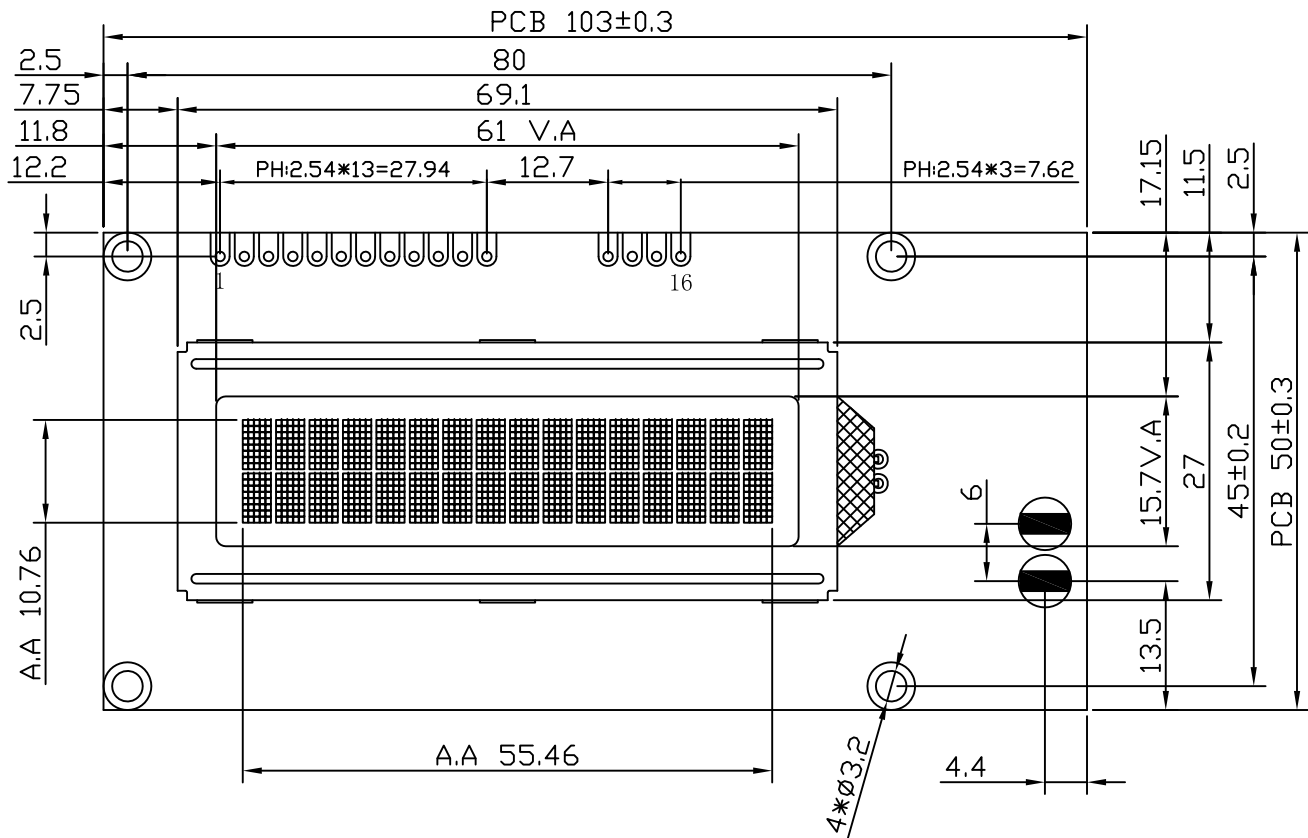
1.0

New issue

2010-09-21

INTERFACE

1	VDD(5V)
2	BLA
3	LED
4	VSS
5	N.C
6	RW
7	RS
8	E
9	DB4
10	DB5
11	DB6
12	DB7
13	DB0
14	DB1
15	DB2
16	DB3

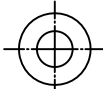
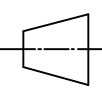


DOT SIZE:

NOTES:

- 01. DISPLAY TYPE: STN/NEGATIVE(BLUE)/TRANSMISSIVE RoHS
- 02. OPERATING VOLTAGE: VOP=4.7V,VDD=5.0V
- 03. OPERATING TEMPERATURE: -20°C~+70°C
- 04. STORAGE TEMPERATURE: -30°C~+80°C
- 05. DRIVE MODE: 1/16DUTY,1/5BIAS
- 06. VIEWING DIRECTION: 6:00
- 07. DRIVE IC: SPLC780D
- 08. CONNECTOR: ZEBER
- 09. BACKLIGHT: LED(WHITE)
- 10. CUSTOMER'S PART ID: BLAZE_STANDARD_PRODUCT

BLAZE Blaze Display Technology Co.,Ltd.

DESIGNED BY: BDT-27	BCB1602-09-SERIES	VERSION: 1.0
CHECKED BY: BDT-03	 	PAGE 1 OF 1
APPROVED BY: BDT-02		UNIT: mm
Website: http://www.blazedisplay.com		DATE: 2010-09-21