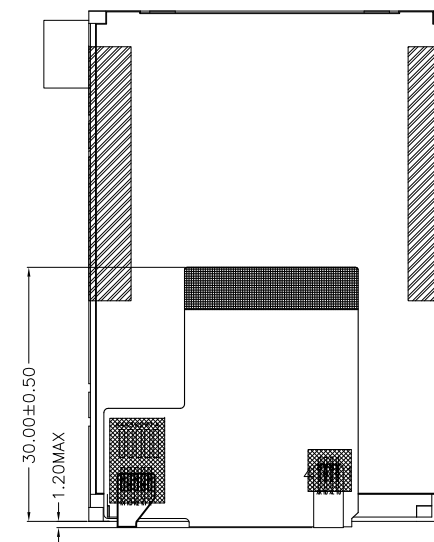
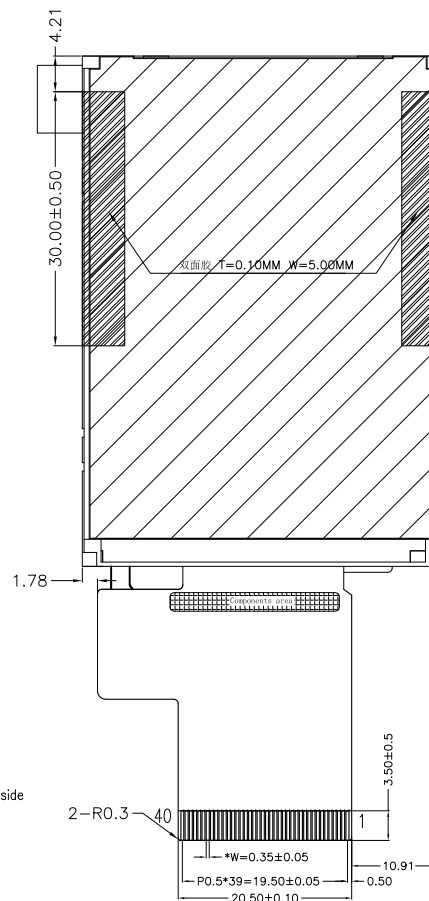
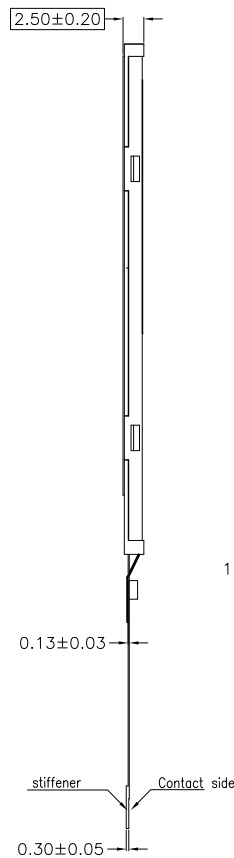
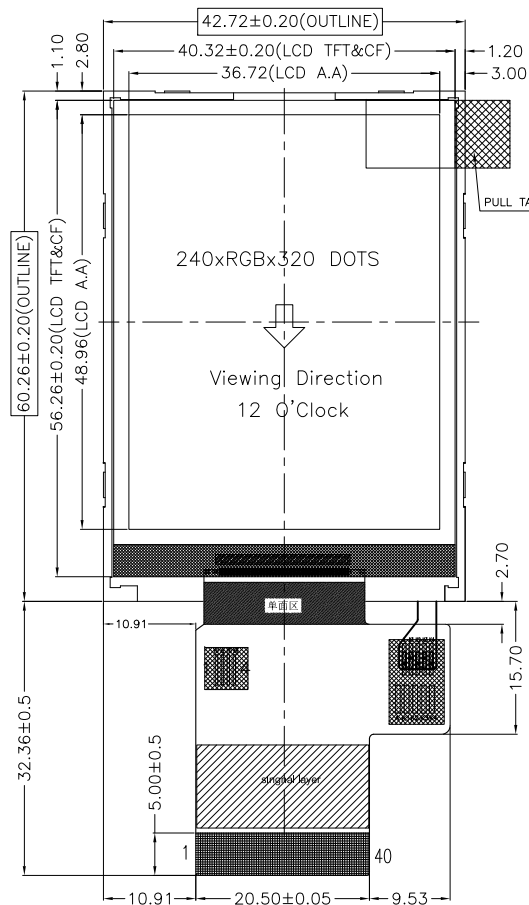


Revised Record

|     |                          |            |  |  |  |  |  |
|-----|--------------------------|------------|--|--|--|--|--|
| 1.0 | New Issue                | 2016-11-10 |  |  |  |  |  |
| 1.0 | Change the length of FPC | 2016-11-15 |  |  |  |  |  |

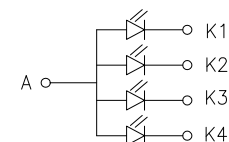
FPC INTERFACE

|    |       |
|----|-------|
| 1  | GND   |
| 2  | NC    |
| 3  | NC    |
| 4  | NC    |
| 5  | NC    |
| 6  | NC    |
| 7  | VDD   |
| 8  | IOVDD |
| 9  | NC    |
| 10 | /CS   |
| 11 | D/C   |
| 12 | /WR   |
| 13 | /RD   |
| 14 | DB0   |
| 15 | DB1   |
| 16 | DB2   |
| 17 | DB3   |
| 18 | DB4   |
| 19 | DB5   |
| 20 | DB6   |
| 21 | DB7   |
| 22 | DB8   |
| 23 | DB9   |
| 24 | DB10  |
| 25 | DB11  |
| 26 | DB12  |
| 27 | DB13  |
| 28 | DB14  |
| 29 | DB15  |
| 30 | /RES  |
| 31 | IM0   |
| 32 | NC    |
| 33 | GND   |
| 34 | LEDK1 |
| 35 | LEDK2 |
| 36 | LEDK3 |
| 37 | LEDK4 |
| 38 | LED-A |
| 39 | GND   |
| 40 | NC    |



FPC Bending Diagram

BACKLIGHT CIRCUIT DIAGRAM



VF=3.1V±0.20;IF=20\*4mA

**BLAZE** Blaze Display Technology Co.,Ltd.

|                    |                           |                 |                |                                      |                   |
|--------------------|---------------------------|-----------------|----------------|--------------------------------------|-------------------|
| DISPLAY TYPE:      | 2.4" TFT                  | DISPLAY DRIVER: | ST7789V        | PIXEL PITCH:                         | 0.153 X 0.153 mm  |
| POLARIZER MODE:    | TRANSMISSIVE              | OPERATING TEMP: | -20°C TO +70°C | LCM BRIGHTNESS (CD/M <sup>2</sup> ): |                   |
| VIEWING DIRECTION: | 12 O'CLOCK Gray inversion | STORAGE TEMP:   | -30°C TO +80°C | BACK LIGHT:                          | LED WHITE(X4), 并联 |
| Dot matrix:        | 240(RGB)X320 DOTS         | STRUCTURE:      | LCD+IC+FPC+BL  | MATERIAL NOTE                        | ROHS REQUEST      |

|  |        |                     |          |            |
|--|--------|---------------------|----------|------------|
| DESIGNED BY:   | BDT-23 | BDT-T2440-03-SERIES | VERSION: | 1.0        |
| CHECKED BY:  | BDT-09 |                     | PAGE     | 1 OF 1     |
| APPROVED BY:   | BDT-05 |                     | UNIT:    | mm         |
| Website: <a href="http://www.blazedisplay.com">http://www.blazedisplay.com</a> |        |                     | DATE:    | 2016-11-15 |