

Revised Record

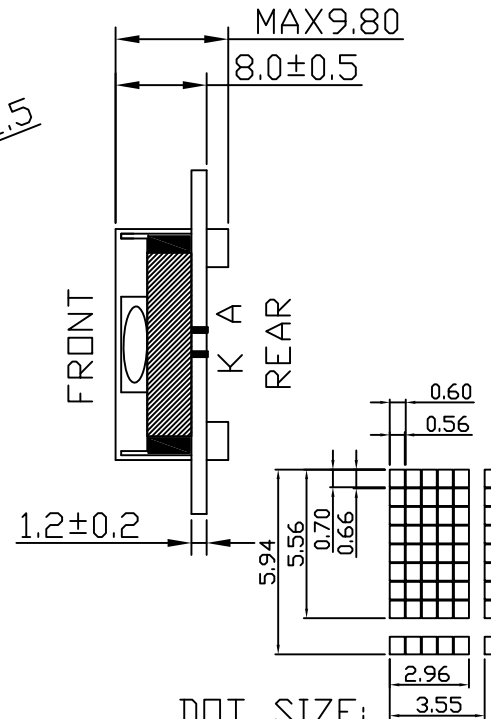
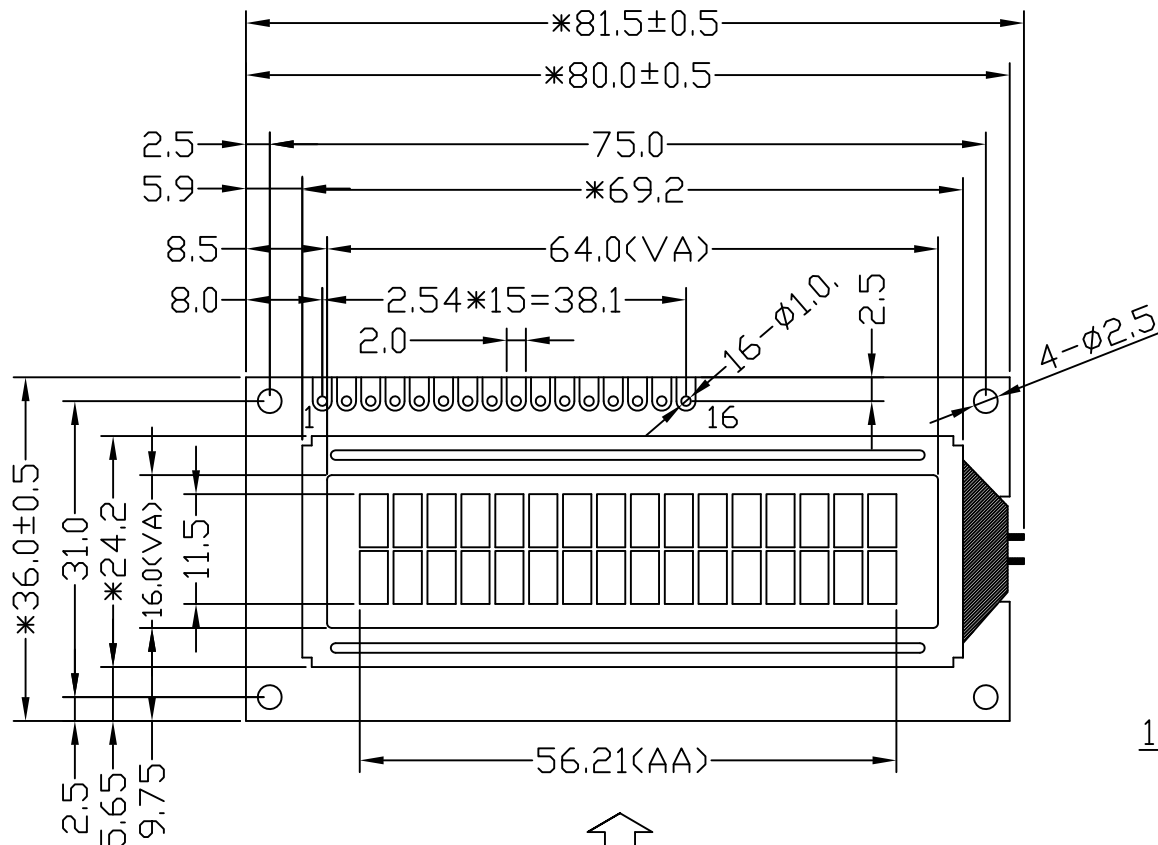
1.0

New Issue

2015-11-17

INTERFACE:

1	VSS
2	VDD
3	V0
4	RS
5	RW
6	E
7	DB0
8	DB1
9	DB2
10	DB3
11	DB4
12	DB5
13	DB6
14	DB7
15	LEDA
16	LEDK



↑
VIEWING DIRECTION

NOTES:

- | | | |
|--|------------------------------|------|
| 01. DISPLAY TYPE: | FSTN/POSITIVE/TRANSMFLECTIVE | RoHS |
| 02. OPERATING VOLTAGE: | VOP=4.5V,VDD=5.0V | |
| 03. OPERATING TEMPERATURE: | -20°C~+70°C | |
| 04. STORAGE TEMPERATURE: | -30°C~+80°C | |
| 05. DRIVE MODE: | 1/16DUTY,1/5BIAS | |
| 06. VIEWING DIRECTION: | 6:00 | |
| 07. DRIVE IC: | ST7066U(OR-EQV) | |
| 08. CONNECTOR: | ZEBER | |
| 09. BACKLIGHT: | LED(WHITE) | |
| 10. Dimensions with mark "*" is important, with mark "()" are referenced | | |

Customer's Choices:

DISPLAY TYPE:	
View angle:	
Temp:	
Voltage:	
IC:	
Fonts:	
Backlight:	
Other:	

BLAZE Blaze Display Technology Co.,Ltd.

DESIGNED BY: BDT-29	BCB1602-13-SERIES	VERSION: 1.0
CHECKED BY: BDT-07		PAGE 1 OF 1
APPROVED BY: BDT-01		UNIT: mm
Website: http://www.blazedisplay.com		DATE: 2015-11-17