

Revised Record

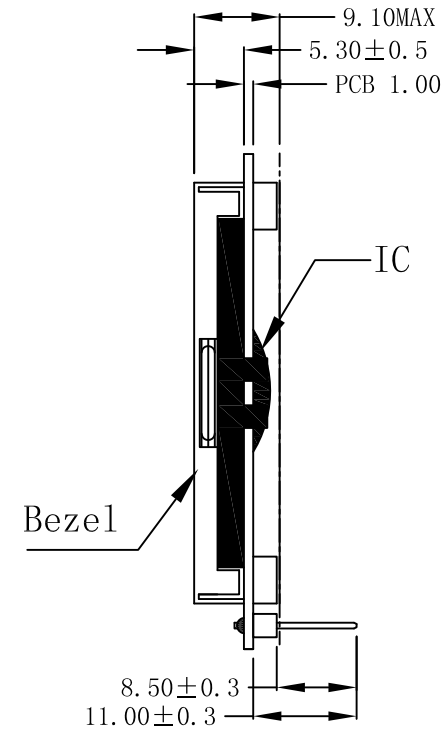
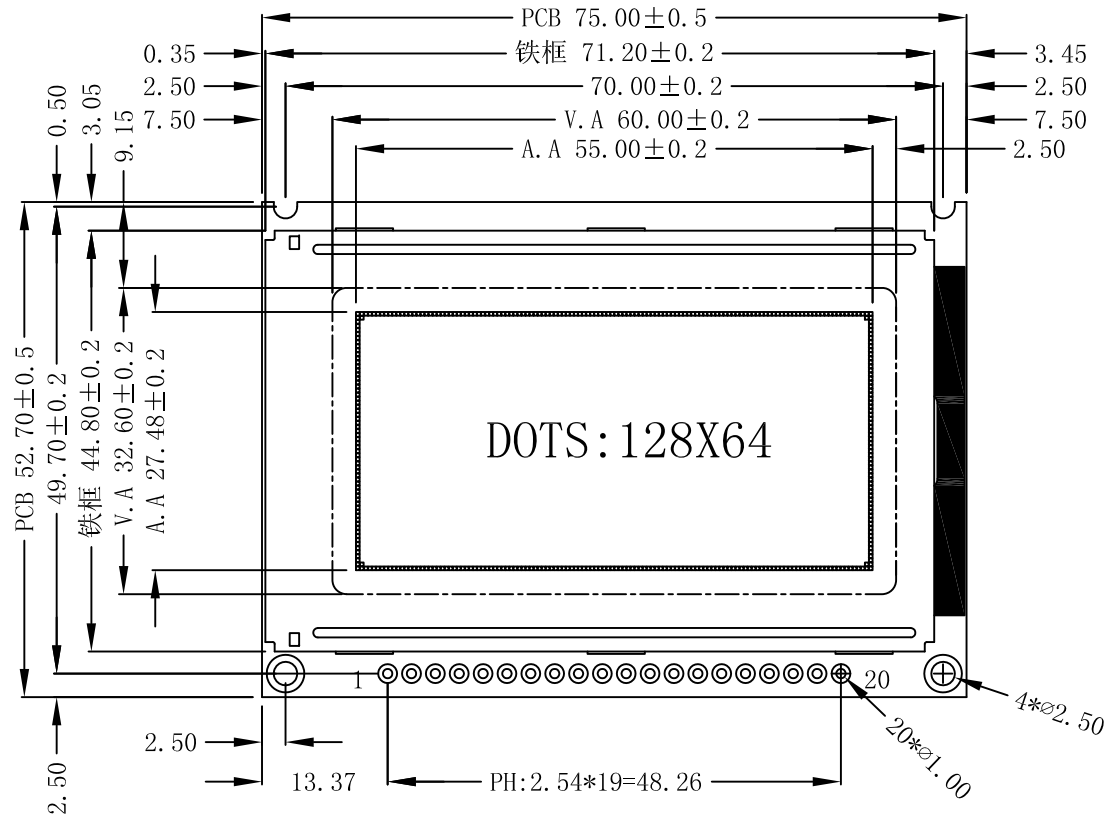
1.0

New issue

2014-12-18

INTERFACE

1	VDD
2	VSS
3	V0
4	DB0
5	DB1
6	DB2
7	DB3
8	DB4
9	DB5
10	DB6
11	DB7
12	/CS1
13	/CS2
14	/RST
15	R/W
16	D/I
17	E
18	VEE
19	LED-A
20	LED-K

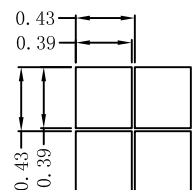


Customer's Choices:

DISPLAY TYPE:	
View angle:	
Temp:	
Voltage:	
IC:	
Backlight:	
Other:	

NOTES:

- |                            |                                      |
|----------------------------|--------------------------------------|
| 01. DISPLAY TYPE:          | STN-GRAY/POSITIVE/TRANSFLECTIVE RoHS |
| 02. OPERATING VOLTAGE:     | VOP=8.7V,VDD=5.0V                    |
| 03. OPERATING TEMPERATURE: | -20°C~+70°C                          |
| 04. STORAGE TEMPERATURE:   | -30°C~+80°C                          |
| 05. DRIVE MODE:            | 1/64DUTY,1/9BIAS                     |
| 06. VIEWING DIRECTION:     | 6:00                                 |
| 07. DRIVE IC:              | AIP31108/AIP31108(OR-EQV)            |
| 08. CONNECTOR:             | ZEBER                                |
| 09. BACKLIGHT:             | LED(WHITE)                           |
| 10. CUSTOMER'S PART ID:    | BLAZE_STANDARD_PRODUCT               |



DOT SIZE:

**BLAZE** Blaze Display Technology Co.,Ltd.

DESIGNED BY: BDT-23	<b>BGB12864-05A-SERIES</b>	VERSION: 1.0
CHECKED BY: BDT-09		PAGE 1 OF 1
APPROVED BY: BDT-02		UNIT: mm
Website: <a href="http://www.blazedisplay.com">http://www.blazedisplay.com</a>		DATE: 2014-12-18