

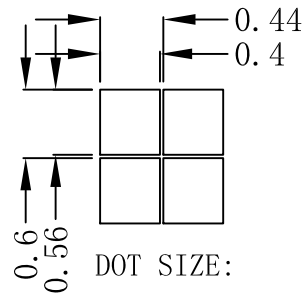
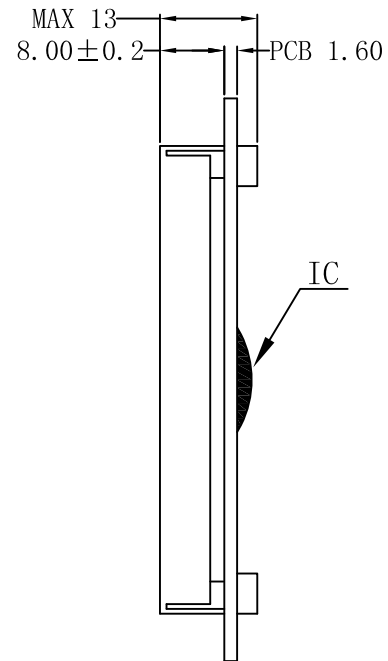
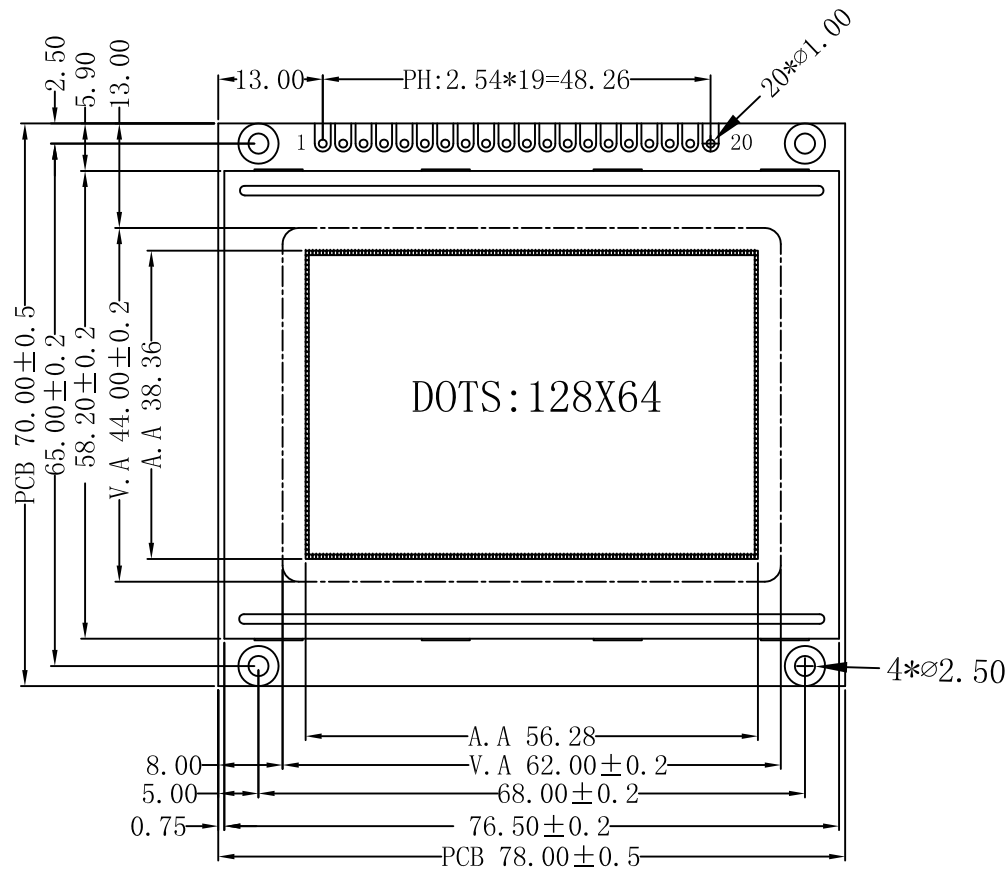
Revised Record

1.0

New issue

2011-10-21

IF	SOMBLE
1	CS1
2	CS2
3	VSS
4	VDD(3.3V)
5	V0
6	RS
7	R/W
8	E
9	DB0
10	DB1
11	DB2
12	DB3
13	DB4
14	DB5
15	DB6
16	DB7
17	RST
18	VOUT
19	LED-A(5V)
20	LED-K



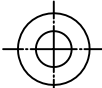
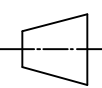
Customer's Choices:

DISPLAY TYPE:	
View angle:	
Temp:	
Voltage:	
IC:	
Backlight:	
Other:	

NOTES:

- DISPLAY TYPE: STN-YG/POSITIVE/TRANSFLECTIVE RoHS
- OPERATING VOLTAGE: VOP=8.7V,VDD=3.3V
- OPERATING TEMPERATURE: -20°C~+70°C
- STORAGE TEMPERATURE: -30°C~+80°C
- DRIVE MODE: 1/64DUTY,1/9BIAS
- VIEWING DIRECTION: 6:00
- DRIVE IC: AIP31107/31108(OR-EQV)
- CONNECTOR: ZEBER
- BACKLIGHT: LED(Y-G),I=75MA
- CUSTOMER'S PART ID: BLAZE_STANDARD_PRODUCT

BLAZE Blaze Display Technology Co.,Ltd.

DESIGNED BY: BDT-27	BGB12864-07A-SERIES	VERSION: 1.0
CHECKED BY: BDT-04	 	PAGE 1 OF 1
APPROVED BY: BDT-01		UNIT: mm
Website: http://www.blazedisplay.com		DATE: 2011-10-21