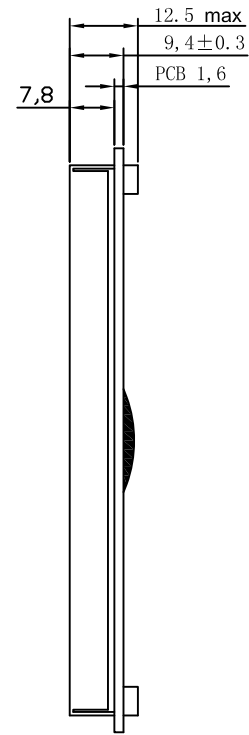
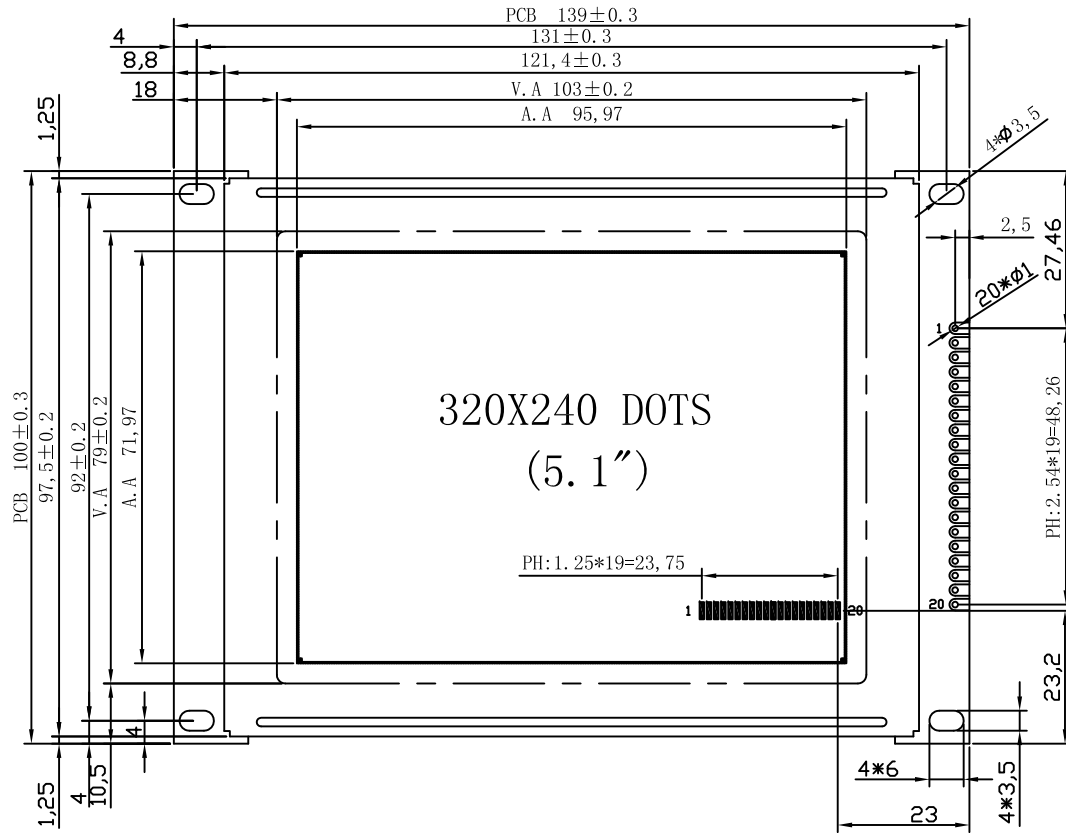


Revised Record

1.0

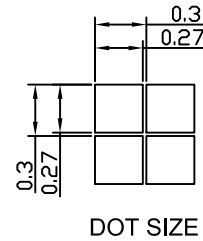
New issue

2011-01-10



INTERFACE:

1	VSS
2	VCC(5V)
3	V0
4	/WR
5	/RD
6	/CS
7	A0
8	/RST
9	DB0
10	DB1
11	DB2
12	DB3
13	DB4
14	DB5
15	DB6
16	DB7
17	LEDA
18	VEE
19	LEDA
20	LEDK



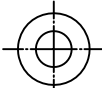
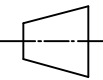
Customer's Choices:

DISPLAY TYPE:	
View angle:	
Temp:	
Voltage:	
IC:	
Backlight:	
Other:	

NOTES:

- | | |
|----------------------------|-------------------------------------|
| 01. DISPLAY TYPE: | STN-BLUE/NEGATIVE/TRANSMISSIVE RoHS |
| 02. OPERATING VOLTAGE: | VOP=23.0V,VDD=5.0V |
| 03. OPERATING TEMPERATURE: | -20°C~+70°C |
| 04. STORAGE TEMPERATURE: | -30°C~+80°C |
| 05. DRIVE MODE: | 1/240DUTY,1/17BIAS |
| 06. VIEWING DIRECTION: | 6:00 |
| 07. DRIVE IC: | RA8835(OR-EQV) |
| 08. CONNECTOR: | ZEBER |
| 09. BACKLIGHT: | LED(WHITE) |
| 10. CUSTOMER'S PART ID: | |

BLAZE Blaze Display Technology Co.,Ltd.

DESIGNED BY: BDT-20	BGB320240-03	VERSION: 1.0
CHECKED BY: BDT-04	 	PAGE 1 OF 1
APPROVED BY: BDT-02		UNIT: mm
Website: http://www.blazedisplay.com		DATE: 2011-01-10