

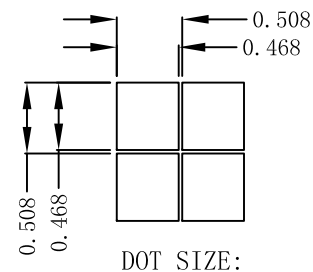
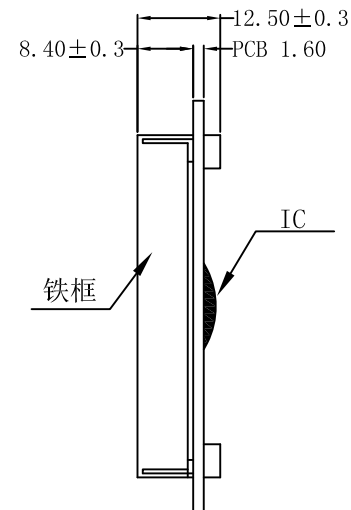
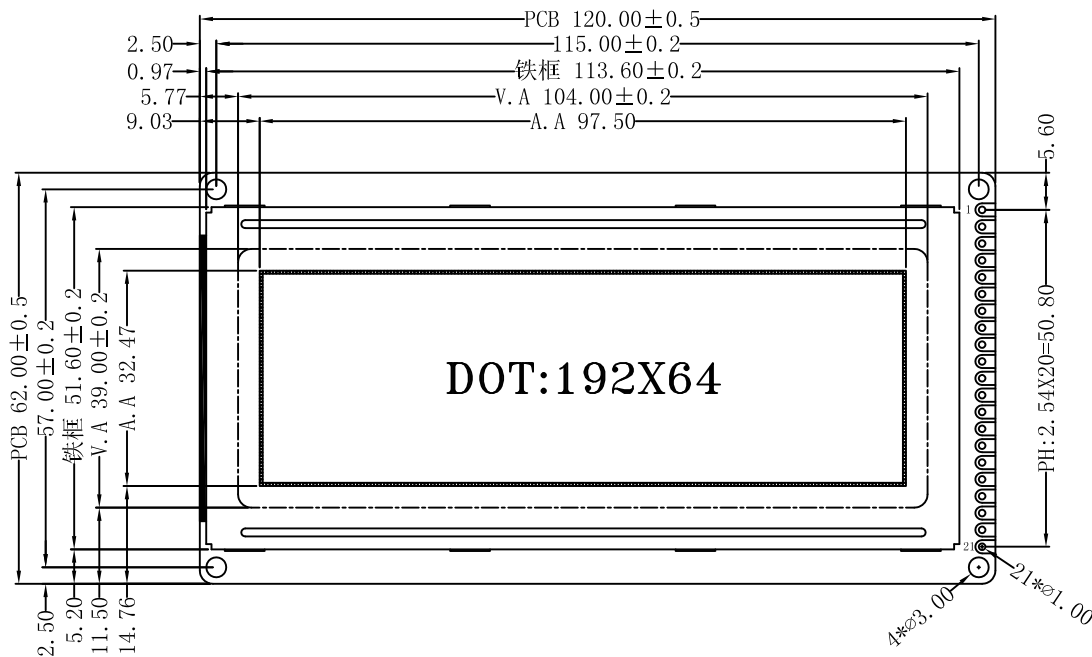
Revised Record

1.0 New issue

2015-10-22

INTERFACE

1	VSS
2	VDD(5V)
3	V0
4	VEE
5	RS
6	R/W
7	E
8	DB0
9	DB1
10	DB2
11	DB3
12	DB4
13	DB5
14	DB6
15	DB7
16	/CS1
17	/CS2
18	/CS3
19	/RST
20	LED-A (5.0V)
21	LED-K(0V)



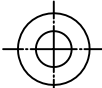
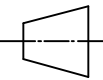
Customer's Choices:

DISPLAY TYPE:	
View angle:	
Temp:	
Voltage:	
IC:	
Backlight:	
Other:	

NOTES:

- 01. DISPLAY TYPE: FSTN/POSITIVE/TRANSFLECTIVE RoHS
- 02. OPERATING VOLTAGE: VOP=10.5V,VDD=5.0V
- 03. OPERATING TEMPERATURE: -20°C~+70°C
- 04. STORAGE TEMPERATURE: -30°C~+80°C
- 05. DRIVE MODE: 1/64DUTY,1/9BIAS
- 06. VIEWING DIRECTION: 12:00
- 07. DRIVE IC: AIP31108,AIP31107(OR-EQV)
- 08. CONNECTOR: ZEBER
- 09. BACKLIGHT: LED(WHITE)
- 10. CUSTOMER'S PART ID: BLAZE_STANDARD_PRODUCT

BLAZE Blaze Display Technology Co.,Ltd.

DESIGNED BY: BDT-27	BGB19264-07-SERIES	VERSION: 1.0
CHECKED BY: BDT-04	 	PAGE 1 OF 1
APPROVED BY: BDT-03		UNIT: mm
Website:http://www.blazedisplay.com		DATE: 2015-10-22