

Revised Record

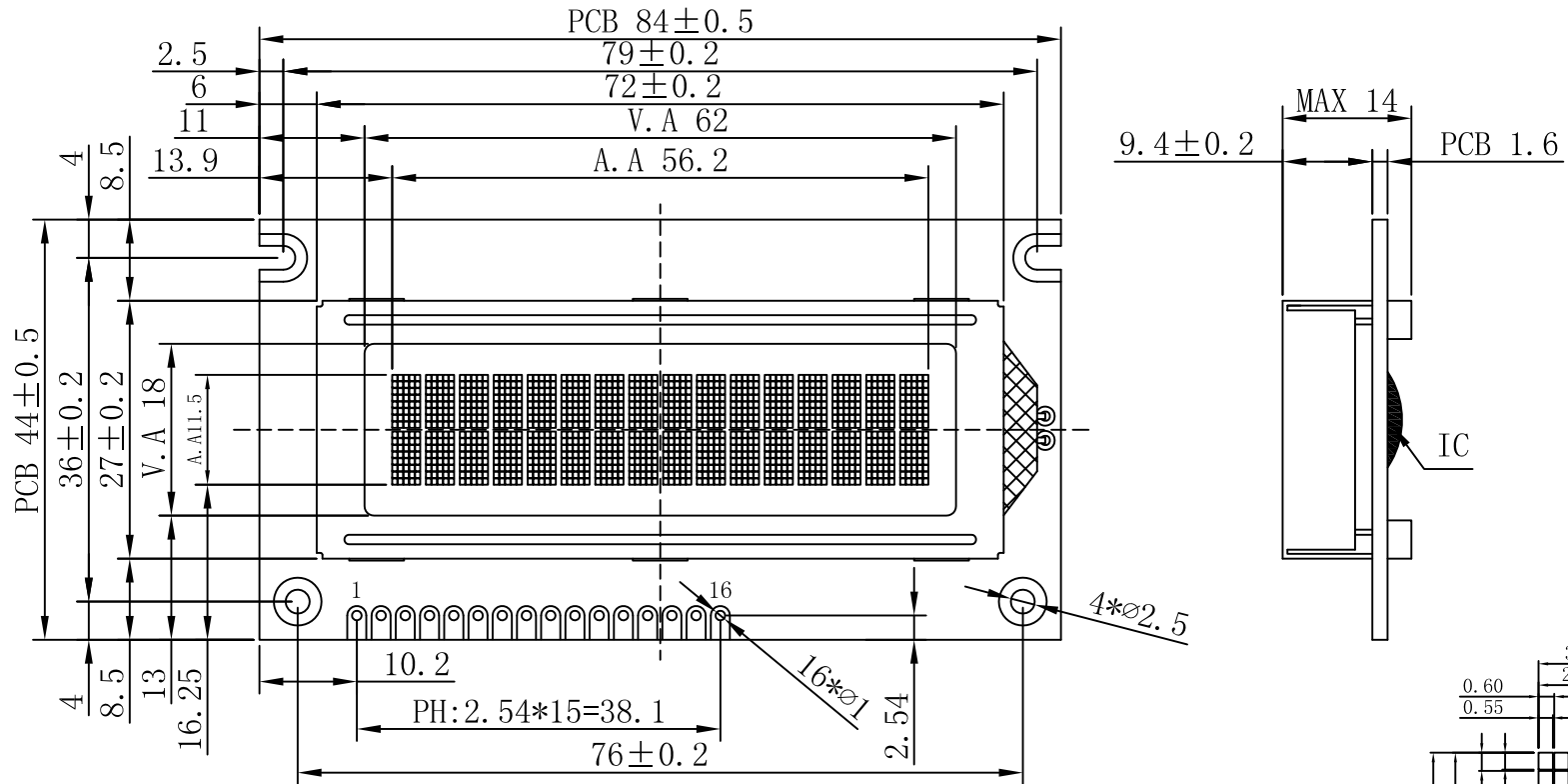
1.0

New issue

2009-07-23

INTERFACE:

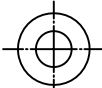
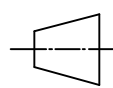
1	DB7
2	DB6
3	DB5
4	DB4
5	DB3
6	DB2
7	DB1
8	DB0
9	E
10	RW
11	RS
12	V0
13	VDD(5V)
14	VSS
15	BLA(5V)
16	BLK



NOTES:

- 01. DISPLAY TYPE: STN/POSITIVE(Y-G)/TRANSFLECTIVE RoHS
- 02. OPERATING VOLTAGE: VOP=4.5V,VDD=5.0V
- 03. OPERATING TEMPERATURE: -20°C~+70°C
- 04. STORAGE TEMPERATURE: -30°C~+80°C
- 05. DRIVE MODE: 1/16DUTY,1/5BIAS
- 06. VIEWING DIRECTION: 6:00
- 07. DRIVE IC: ST7066
- 08. CONNECTOR: ZEBER
- 09. BACKLIGHT: LED(Y-G),I=15MA
- 10. CUSTOMER'S PART ID: BLAZE_STANDARD_PRODUCT

BLAZE Blaze Display Technology Co.,Ltd.

DESIGNED BY: BDT-21	BCB1602-05A-SERIES	VERSION: 1.0
CHECKED BY: BDT-04	 	PAGE 1 OF 1
APPROVED BY: BDT-01		UNIT: mm
Website: http://www.blazedisplay.com		DATE: 2009-07-23