

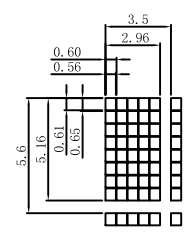
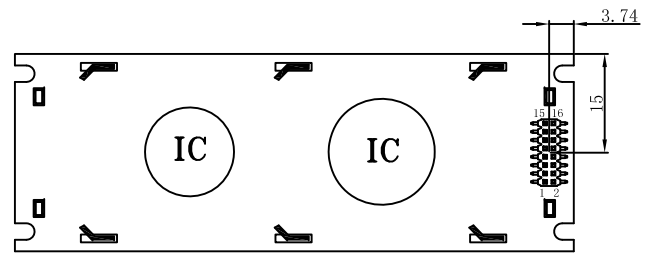
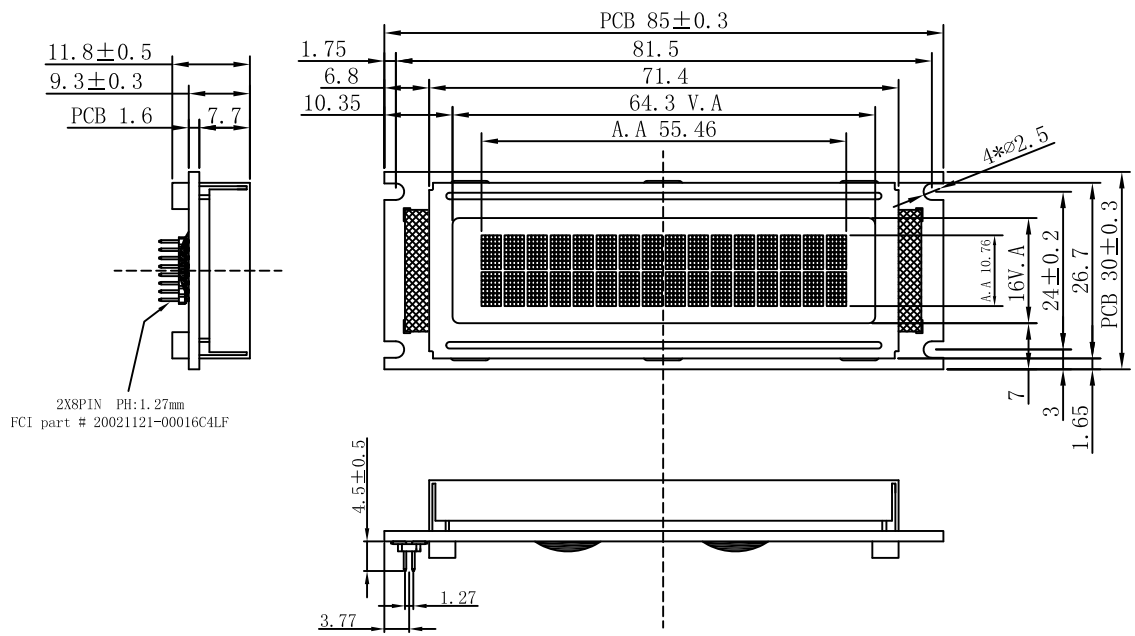
Revised Record

1.0

New issue

2015-01-26

INTERFACE	
1	VDD(5V)
2	VSS
3	V0
4	RS
5	RW
6	E
7	DB0
8	DB1
9	DB2
10	DB3
11	DB4
12	DB5
13	DB6
14	DB7
15	LED-A(5V)
16	LED-K

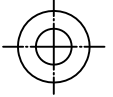
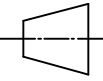


DOT SIZE:

NOTES:

- 01. DISPLAY TYPE: VA/NEGATIVE/TRANSMISSIVE RoHS
- 02. OPERATING VOLTAGE: VOP=9.0V,VDD=5.0V
- 03. OPERATING TEMPERATURE: -20°C~+70°C
- 04. STORAGE TEMPERATURE: -30°C~+80°C
- 05. DRIVE MODE: 1/16DUTY,1/5BIAS
- 06. VIEWING DIRECTION: 6:00
- 07. DRIVE IC: AIP31066
- 08. CONNECTOR: ZEBER
- 09. BACKLIGHT: LED(AMBER),I=35MA
- 10. CUSTOMER'S PART ID: BLAZE_STANDARD_PRODUCT

BLAZE Blaze Display Technology Co.,Ltd.

DESIGNED BY: BDT-23	BCB1602-07B-SERIES	VERSION: 1.0
CHECKED BY: BDT-08	 	PAGE 1 OF 1
APPROVED BY: BDT-02		UNIT: mm
Website: http://www.blazedisplay.com		DATE: 2015-01-26