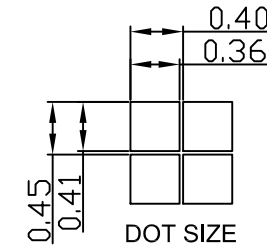
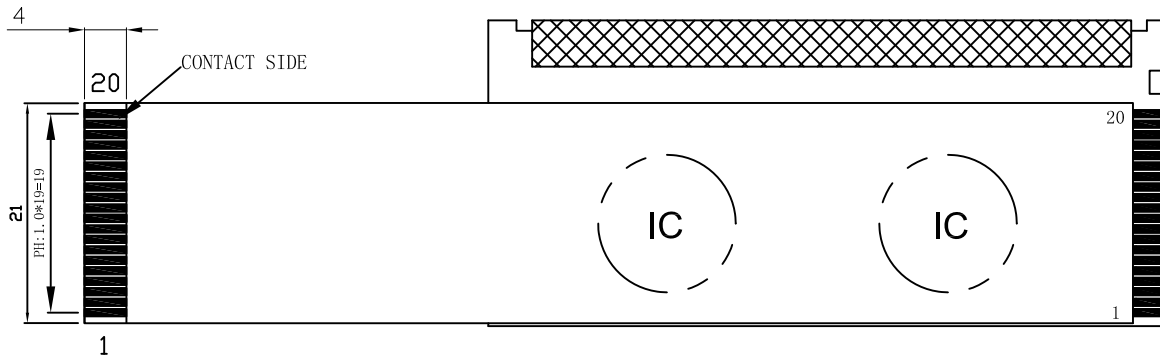
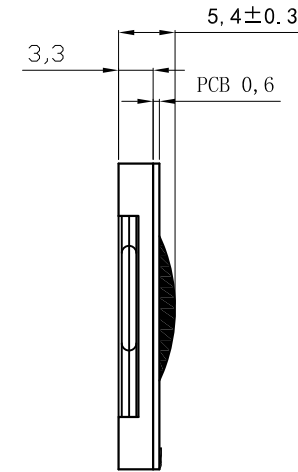
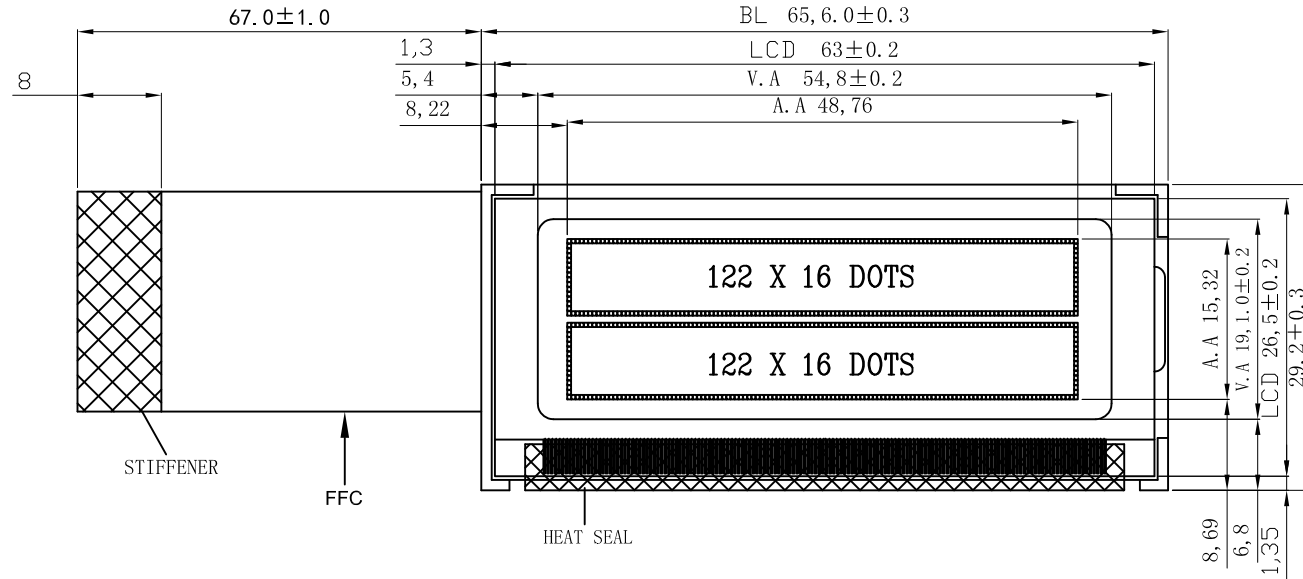


Revised Record

1.0

New issue

2011-4-21



INTERFACE

1	VDD(5V)
2	VSS
3	V0
4	RST
5	E1
6	E2
7	R/W
8	RS
9	DB0
10	DB1
11	DB2
12	DB3
13	DB4
14	DB5
15	DB6
16	DB7
17	LED-A(5V)
18	LED-K
19	N. C
20	N. C

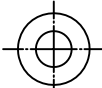
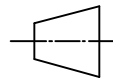
Customer's Choices:

DISPLAY TYPE:	
View angle:	
Temp:	
Voltage:	
IC:	
Backlight:	
Other:	

NOTES:

- | | |
|----------------------------|-------------------------------------|
| 01. DISPLAY TYPE: | STN-BLUE/NEGATIVE/TRANSMISSIVE RoHS |
| 02. OPERATING VOLTAGE: | VOP=5.0V,VDD=5V |
| 03. OPERATING TEMPERATURE: | -20°C~+70°C |
| 04. STORAGE TEMPERATURE: | -30°C~+80°C |
| 05. DRIVE MODE: | 1/32DUTY,1/5BIAS |
| 06. VIEWING DIRECTION: | 6:00 |
| 07. DRIVE IC: | SBN1661G(OR-EQV) |
| 08. CONNECTOR: | ZEBER |
| 09. BACKLIGHT: | LED(WHITE,I=90MA) |
| 10. CUSTOMER'S PART ID: | BLAZE_STANDARD_PRODUCT |

BLAZE Blaze Display Technology Co.,Ltd.

DESIGNED BY: BDT-23	BGB12232-C02	VERSION: 1.0
CHECKED BY: BDT-06	 	PAGE 1 OF 1
APPROVED BY: BDT-01		UNIT: mm
Website: http://www.blazedisplay.com		DATE: 2011-4-21