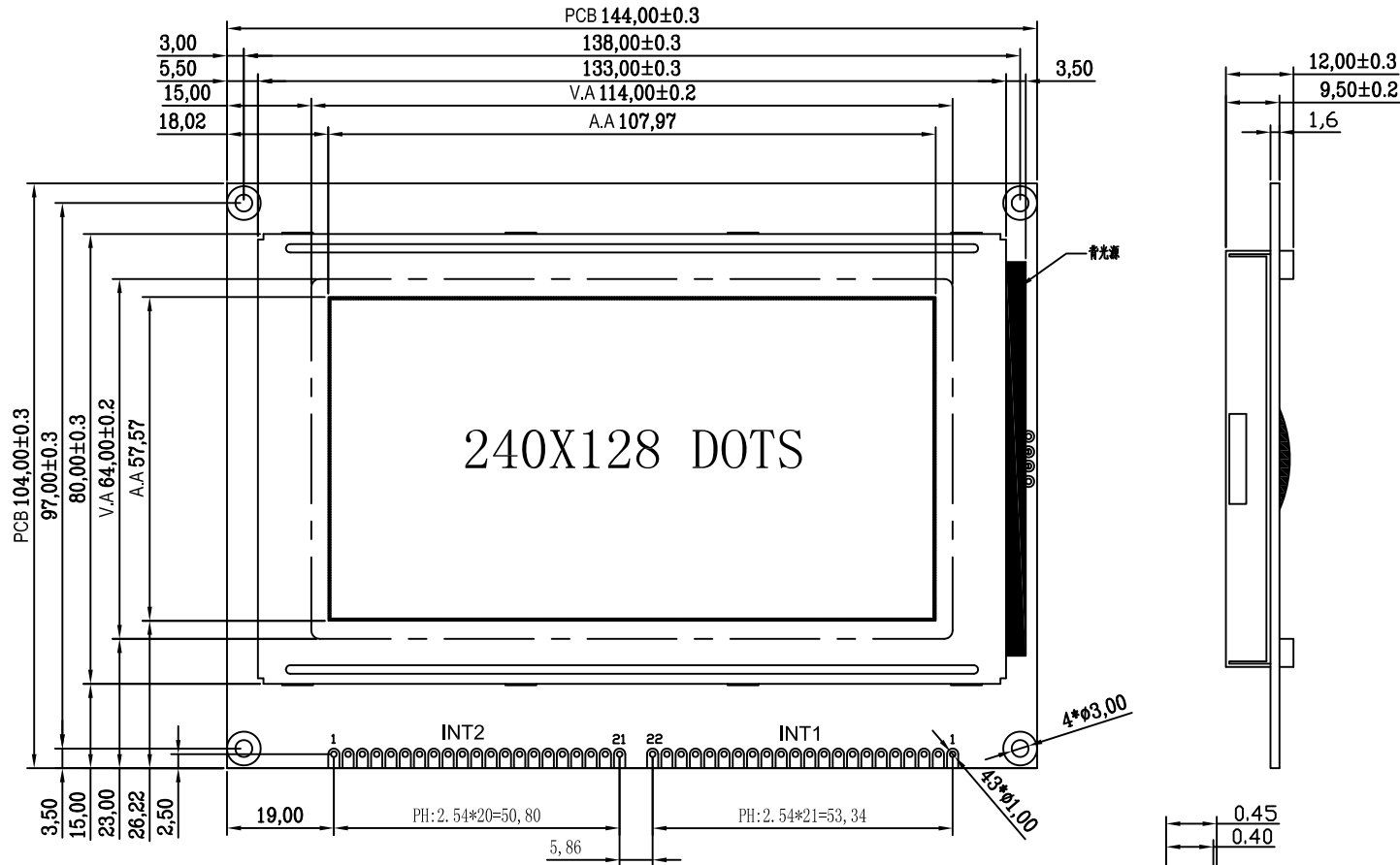


Revised Record	1.0	New issue	2011-09-24						
----------------	-----	-----------	------------	--	--	--	--	--	--



INTERFACE:			
INT1		INT2	
1	FG	1	FG
2	VSS	2	VSS
3	VCC(5V)	3	VCC(5V)
4	V0	4	V0
5	WR	5	WR
6	RD	6	RD
7	CS	7	CS
8	C/D	8	C/D
9	N.C	9	RST
10	RST	10	DB0
11	DB0	11	DB1
12	DB1	12	DB2
13	DB2	13	DB3
14	DB3	14	DB4
15	DB4	15	DB5
16	DB5	16	DB6
17	DB6	17	DB7
18	DB7	18	FS
19	FS	19	VEE
20	VEE	20	LED+(5V)
21	LED+(5V)	21	LED-
22	LED-		

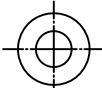
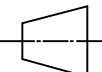
Customer's Choices:

DISPLAY TYPE:	
View angle:	
Temp:	
Voltage:	
IC:	
Backlight:	
Other:	

NOTES:

- |                            |                                     |
|----------------------------|-------------------------------------|
| 01. DISPLAY TYPE:          | STN-BLUE/NEGATIVE/TRANSMISSIVE RoHS |
| 02. OPERATING VOLTAGE:     | VOP=18.0V,VDD=5.0V                  |
| 03. OPERATING TEMPERATURE: | -20°C~+70°C                         |
| 04. STORAGE TEMPERATURE:   | -30°C~+80°C                         |
| 05. DRIVE MODE:            | 1/128DUTY,1/12BIAS                  |
| 06. VIEWING DIRECTION:     | 6:00                                |
| 07. DRIVE IC:              | RA6963(OR-EQV)                      |
| 08. CONNECTOR:             | ZEBER                               |
| 09. BACKLIGHT:             | LED(WHITE),I=120MA                  |
| 10. CUSTOMER'S PART ID:    |                                     |

**BLAZE** Blaze Display Technology Co.,Ltd.

DESIGNED BY: BDT-20	<b>BGB240128-03</b>	VERSION: 1.0
CHECKED BY: BDT-04	 	PAGE 1 OF 1
APPROVED BY: BDT-01		UNIT: mm
Website: <a href="http://www.blazedisplay.com">http://www.blazedisplay.com</a>		DATE: 2011-09-24