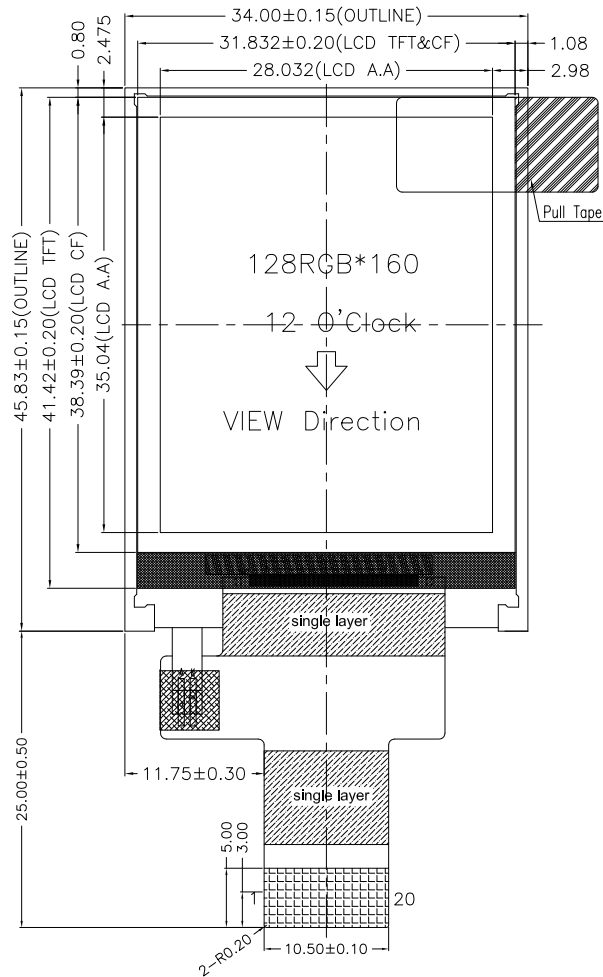


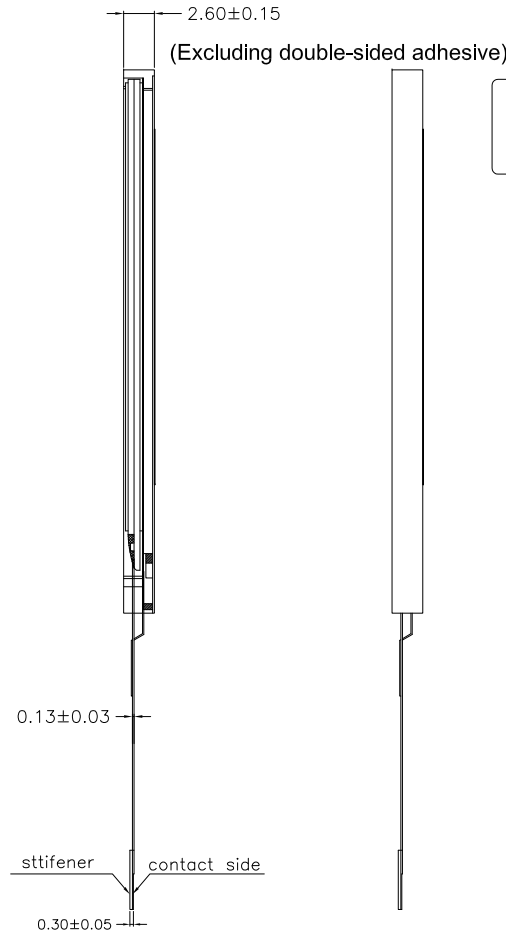
Revised Record

1.0 New Issue

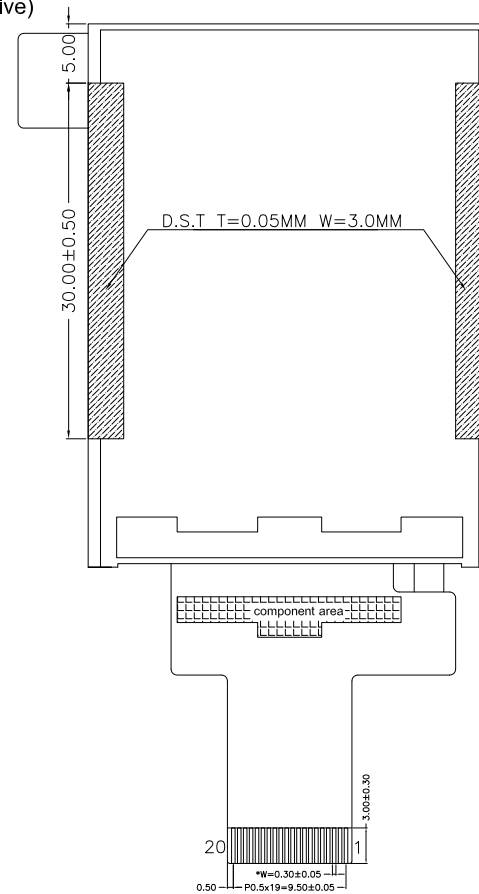
2014-11-14



Please confirm thickness of the FPC



Backlight circuit  
If=30mA; Vf=3.2V(TYP)



PIN ASSIGNMENT

NO.	SIGNAL
1	LEDK
2	LEDA
3	GND
4	VDD
5	TE
6	NC
7	CS
8	RESET
9	RS
10	WR
11	RD
12	D7
13	D6
14	D5
15	D4
16	D3
17	D2
18	D1
19	D0
20	GND

DISPLAY TYPE:	1.77" TFT	DISPLAY DRIVER:	ST7735S	PIXEL PITCH:	0.219 X 0.219 mm
POLARIZER MODE:	TRANSMISSIVE	OPERATING TEMP:	-20°C TO +70°C	BACK LIGHT:	LED WHITE(X2), 并联
VIEWING DIRECTION:	12 O'CLOCK	STORAGE TEMP:	-30°C TO +80°C		
Dot matrix:	128(RGB)X160 DOTS	STRUCTURE:	LCD+IC+FPC+BL	MATERIAL NOTE	ROHS REQUEST

**BLAZE** Blaze Display Technology Co.,Ltd.

DESIGNED BY: BDT-23 BDT-T17720-01-SERIES VERSION: 1.0

CHECKED BY: BDT-09 PAGE 1 OF 1

APPROVED BY: BDT-05 UNIT: mm

Website: <http://www.blazedisplay.com> DATE: 2014-11-14