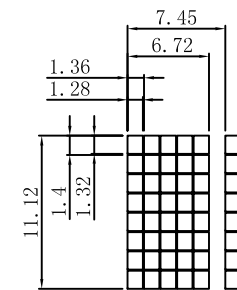
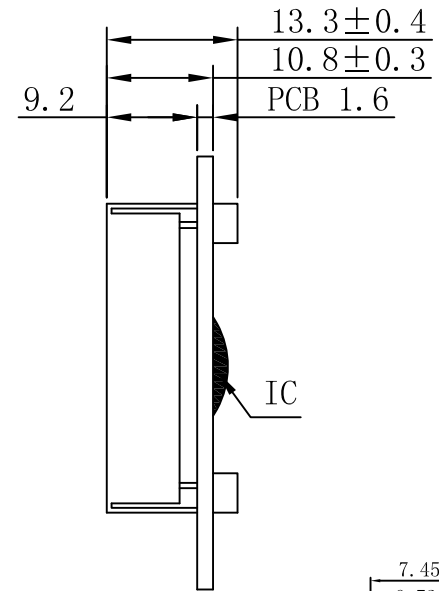
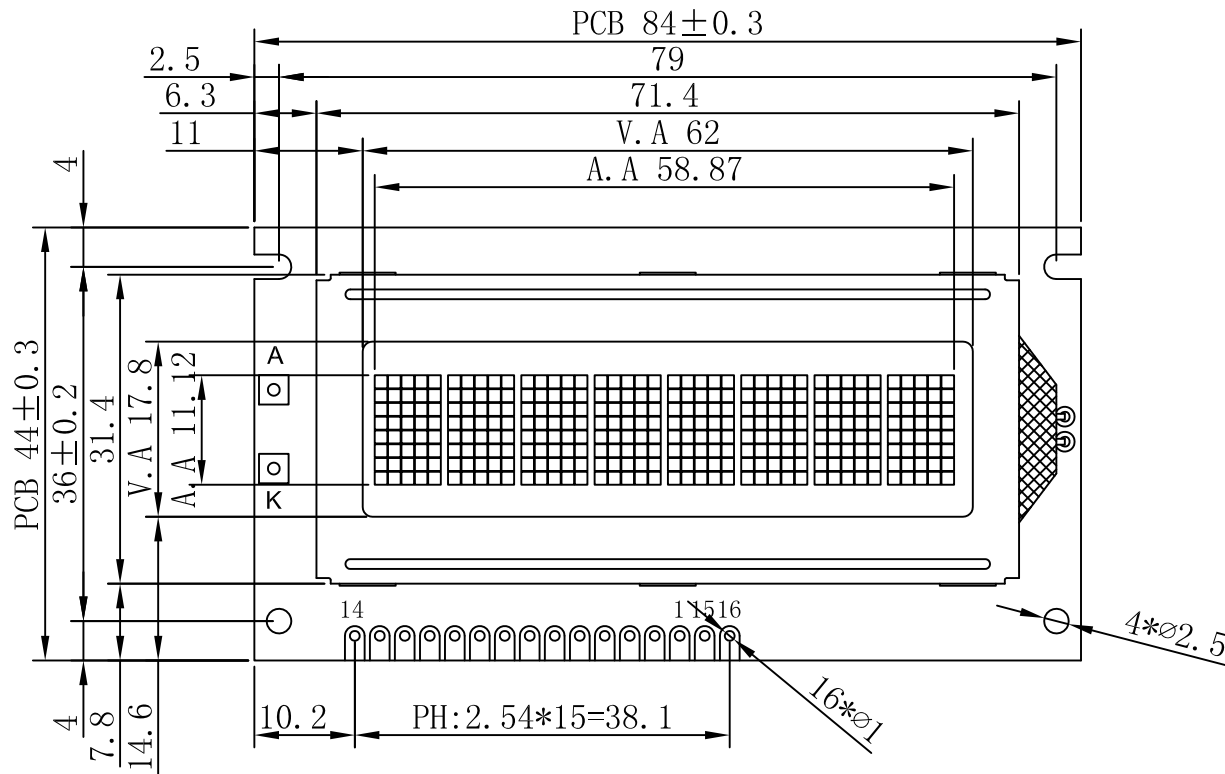


Revised Record	1.0	New issue	2014-07-14						
----------------	-----	-----------	------------	--	--	--	--	--	--



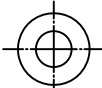
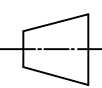
DOT SIZE:

INTERFACE:	
1	VSS
2	VCC(5V)
3	V0
4	RS
5	RW
6	E
7	DB0
8	DB1
9	DB2
10	DB3
11	DB4
12	DB5
13	DB6
14	DB7
15,A	LED+(5V)
16,K	LED-

NOTES:

- | | | |
|----------------------------|--------------------------------|------|
| 01. DISPLAY TYPE: | STN,BLUE,NEGATIVE/TRANSMISSIVE | RoHS |
| 02. OPERATING VOLTAGE: | VOP=4.8V,VDD=5.0V | |
| 03. OPERATING TEMPERATURE: | -20°C~+70°C | |
| 04. STORAGE TEMPERATURE: | -30°C~+80°C | |
| 05. DRIVE MODE: | 1/16DUTY,1/5BIAS | |
| 06. VIEWING DIRECTION: | 12:00 | |
| 07. DRIVE IC: | AIP31066 | |
| 08. CONNECTOR: | ZEBRA | |
| 09. BACKLIGHT: | LED(WHITE),I<18MA | |
| 10. CUSTOMER'S PART ID: | BLAZE_STANDARD_PRODUCT | |

BLAZE Blaze Display Technology Co.,Ltd.

DESIGNED BY: BDT-24	BCB0801-02-SERIES	VERSION: 1.0
CHECKED BY: BDT-08	 	PAGE 1 OF 1
APPROVED BY: BDT-02		UNIT: mm
Website: http://www.blazedisplay.com		DATE: 2014-07-14