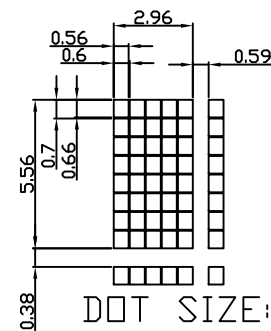
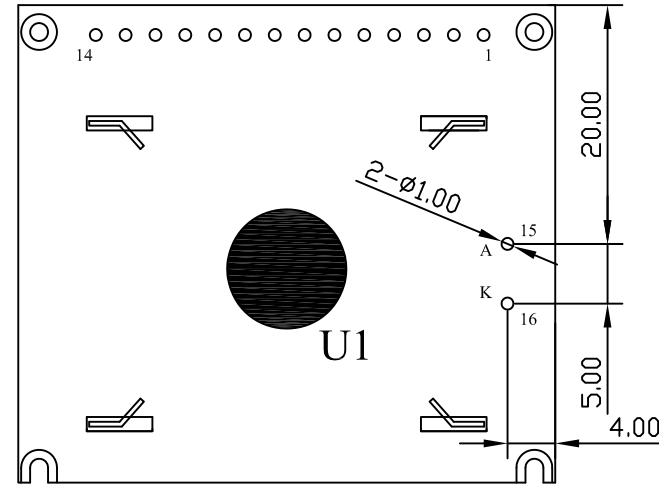
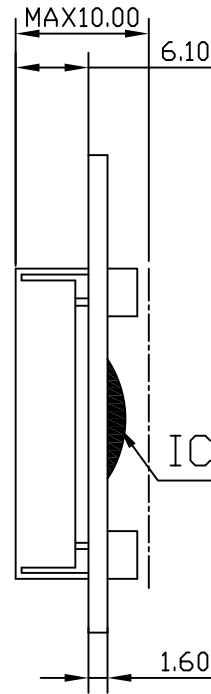
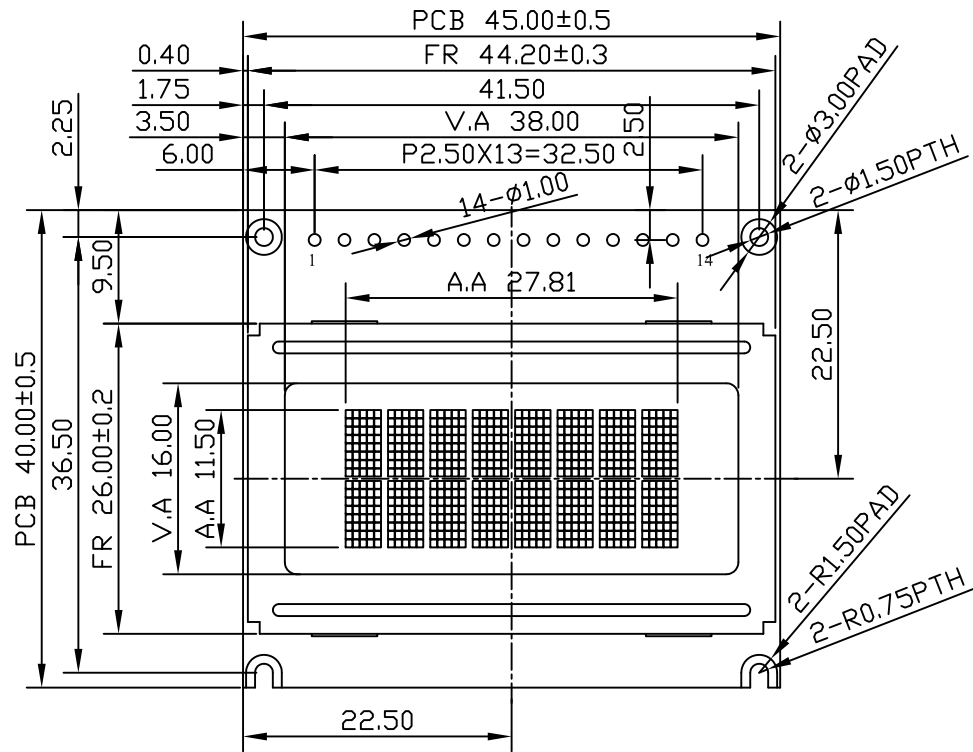


Revised Record

1.0

New issue

2015-06-04



INTERFACE

1	VSS
2	VDD
3	V0
4	RS
5	RW
6	E
7	DB0
8	DB1
9	DB2
10	DB3
11	DB4
12	DB5
13	DB6
14	DB7
15	LED-A(5.0V)
16	LED-K

NOTES:

- 01. DISPLAY TYPE: STN(Y-G)/POSITIVE/TRANSFLECTIVE RoHS
- 02. OPERATING VOLTAGE: VOP=4.7V,VDD=5.0V
- 03. OPERATING TEMPERATURE: -20°C~+70°C
- 04. STORAGE TEMPERATURE: -30°C~+80°C
- 05. DRIVE MODE: 1/16DUTY,1/5BIAS
- 06. VIEWING DIRECTION: 6:00
- 07. DRIVE IC: SPLC780D
- 08. CONNECTOR: ZEBER
- 09. BACKLIGHT: YOLLEW-GREEN
- 10. CUSTOMER'S PART ID:

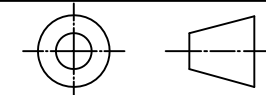
BLAZE Blaze Display Technology Co.,Ltd.

DESIGNED BY: BDT-20

BCB0802-05

VERSION: 1.0

CHECKED BY: BDT-04



PAGE 1 OF 1

APPROVED BY: BDT-01

UNIT: mm

Website: <http://www.blazedisplay.com>

DATE: 2015-06-04