

Revised Record

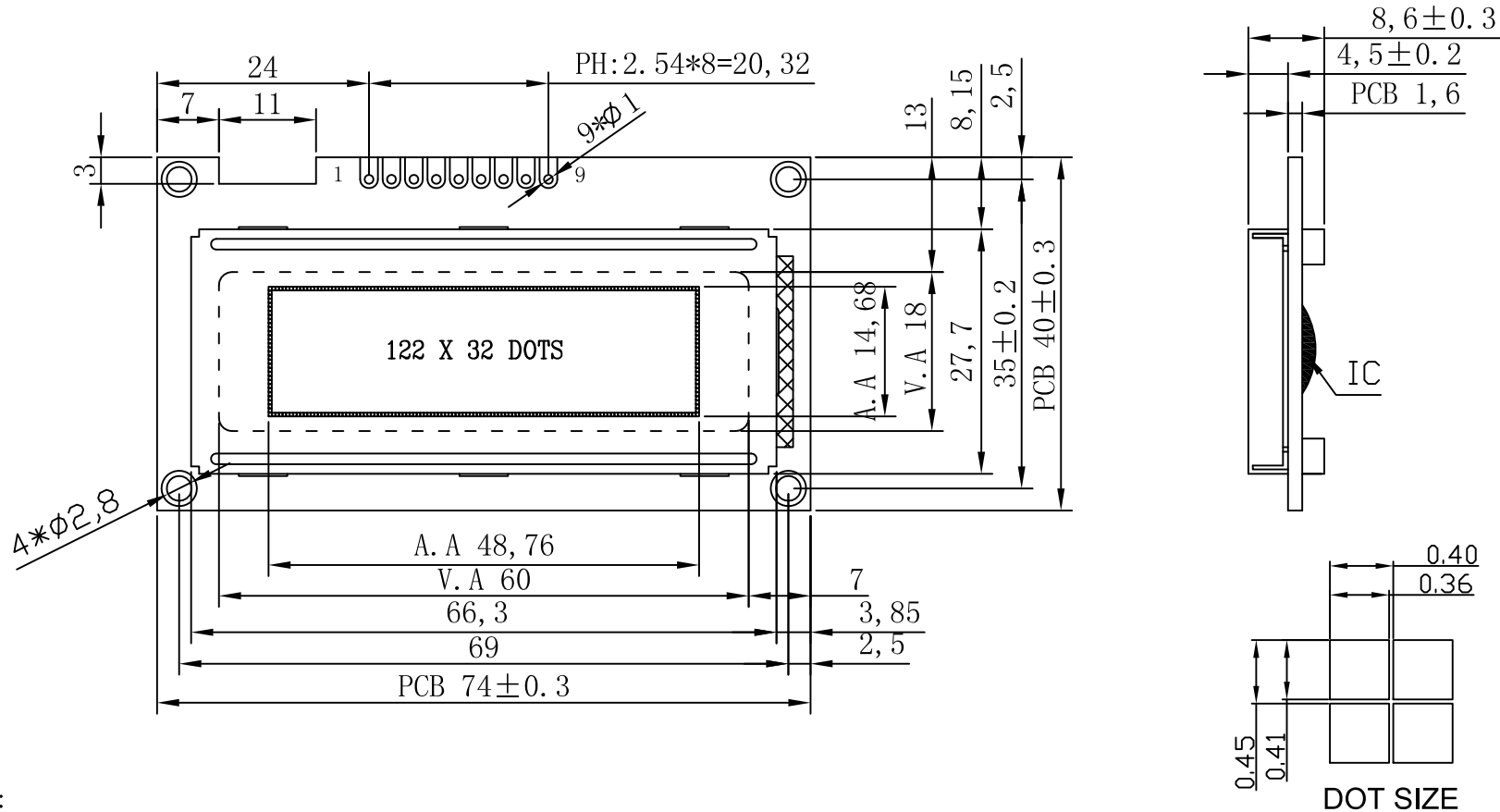
1.0

New issue

2011-09-21

INTERFACE:

1	VSS
2	VDD(5V)
3	CS
4	SID
5	SCLK
6	FG / V0
7	/RST
8	LED-A(5V)
9	LED-K



NOTES:

- 01. DISPLAY TYPE: STN/NEGATIVE(BLUE)/TRANSMISSIVE RoHS
- 02. OPERATING VOLTAGE: VOP=4.8V,VDD=5.0V
- 03. OPERATING TEMPERATURE: -20°C~+70°C
- 04. STORAGE TEMPERATURE: -30°C~+80°C
- 05. DRIVE MODE: 1/32DUTY,1/5BIAS
- 06. VIEWING DIRECTION: 6:00
- 07. DRIVE IC: AIP31020
- 08. CONNECTOR: ZEBER
- 09. BACKLIGHT: LED(WHITE)
- 10. CUSTOMER'S PART ID: BLAZE\_STANDARD\_PRODUCT

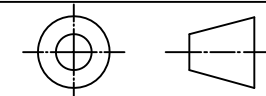
**BLAZE** Blaze Display Technology Co.,Ltd.

DESIGNED BY: BDT-11

BGB12232-03-SERIES

VERSION: 1.0

CHECKED BY: BDT-07



PAGE 1 OF 1

APPROVED BY: BDT-02

UNIT: mm

Website: <http://www.blazedisplay.com>

DATE: 2011-09-21