

Revised Record

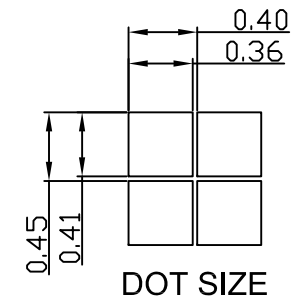
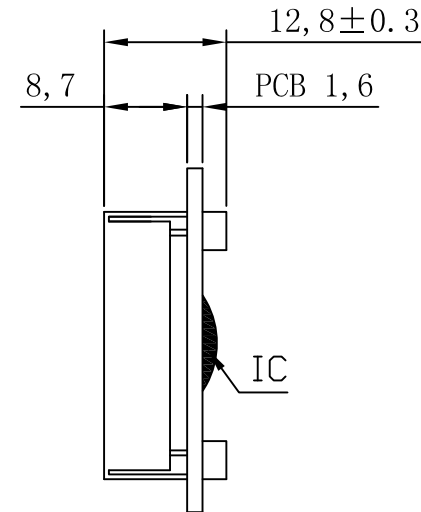
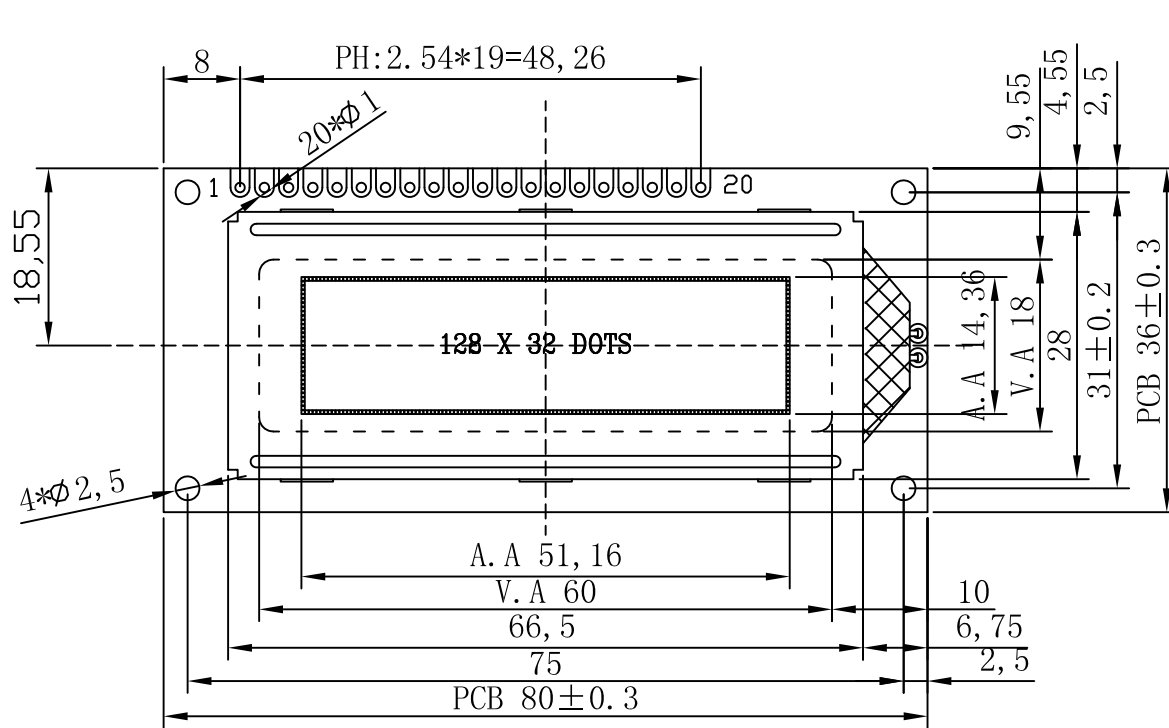
1.0

New issue

2010-03-18

INTERFACE:

1	VO
2	VR
3	VSS
4	VDD(5V)
5	N.C
6	RS(CS)
7	R/W(SID)
8	E(SCLK)
9	DB0
10	DB1
11	DB2
12	DB3
13	DB4
14	DB5
15	DB6
16	DB7
17	PSB
18	/RST
19	LED-A(5V)
20	LED-K



NOTES:

- 01. DISPLAY TYPE: STN/NEGATIVE(BLUE)/TRANSMISSIVE RoHS
- 02. OPERATING VOLTAGE: VOP=4.8V,VDD=5.0V
- 03. OPERATING TEMPERATURE: -20°C~+70°C
- 04. STORAGE TEMPERATURE: -30°C~+80°C
- 05. DRIVE MODE: 1/32DUTY,1/5BIAS
- 06. VIEWING DIRECTION: 6:00
- 07. DRIVE IC: AIP31020
- 08. CONNECTOR: ZEBER
- 09. BACKLIGHT: LED(WHITE)
- 10. CUSTOMER'S PART ID: BLAZE_STANDARD_PRODUCT

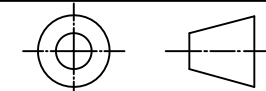
BLAZE Blaze Display Technology Co.,Ltd.

DESIGNED BY: BDT-11

BGB12832-01-SERIES

VERSION: 1.0

CHECKED BY: BDT-07



PAGE 1 OF 1

APPROVED BY: BDT-02

UNIT: mm

Website: <http://www.blazedisplay.com>

DATE: 2010-03-18