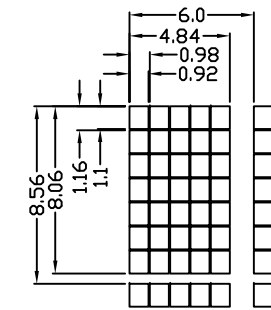
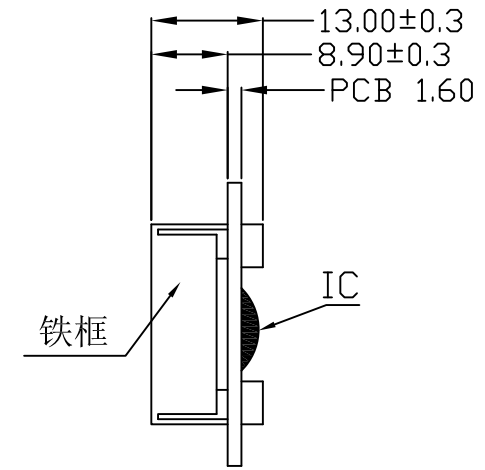
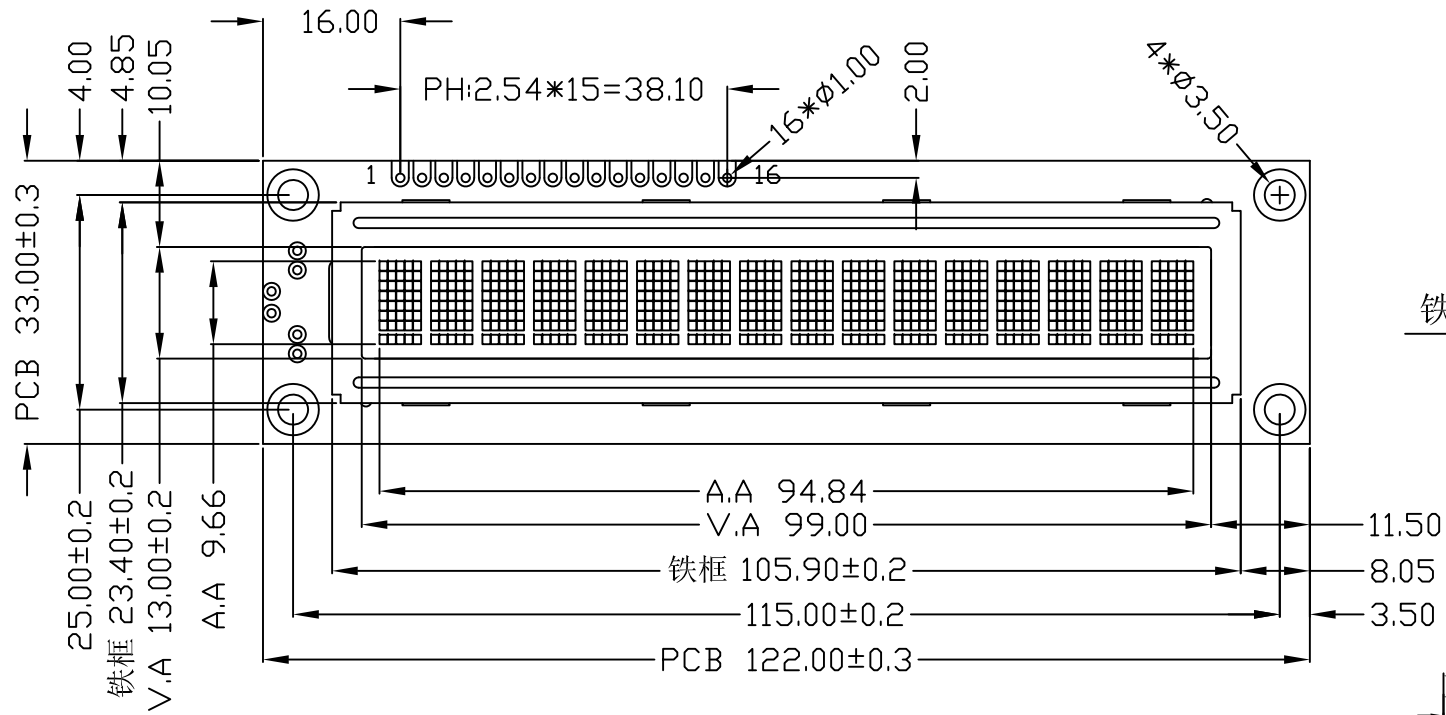


Revised Record

1.0 New Issue

2011-12-02

INTERFACE	
1	VSS
2	VDD
3	V0
4	RS
5	RW
6	E
7	DB0
8	DB1
9	DB2
10	DB3
11	DB4
12	DB5
13	DB6
14	DB7
15	LED-A
16	LED-K



NOTES:

- | | |
|----------------------------|-------------------------------------|
| 01. DISPLAY TYPE: | STN-BLUE/NEGATIVE/TRANSMISSIVE RoHS |
| 02. OPERATING VOLTAGE: | VDD=5.0V, VOP=4.7V |
| 03. OPERATING TEMPERATURE: | -20°C~+70°C |
| 04. STORAGE TEMPERATURE: | -30°C~+80°C |
| 05. DRIVE MODE: | 1/16DUTY, 1/5BIAS |
| 06. VIEWING DIRECTION: | 6:00 |
| 07. DRIVE IC: | ST7066U(OR-EQV) |
| 08. CONNECTOR: | ZEBRA |
| 09. BACKLIGHT: | LED(WHITE) |
| 10. CUSTOMER'S PART ID: | |

Customer's Choices:

DISPLAY TYPE:	
View angle:	
Temp:	
Voltage:	
IC:	
Fonts:	
Backlight:	
Other:	

BLAZE Blaze Display Technology Co.,Ltd.

DESIGNED BY: BDT-19	BCB1601-05-SERIES	VERSION: 1.0
CHECKED BY: BDT-08		PAGE 1 OF 1
APPROVED BY: BDT-05		UNIT: mm
Website: http://www.blazedisplay.com		DATE: 2011-12-02