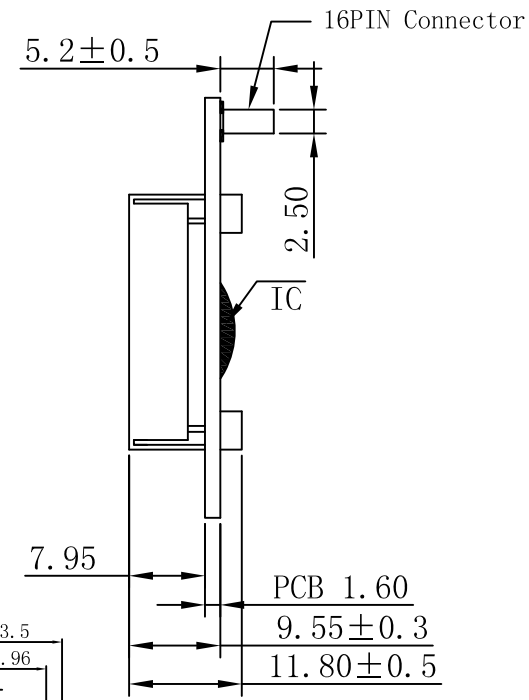
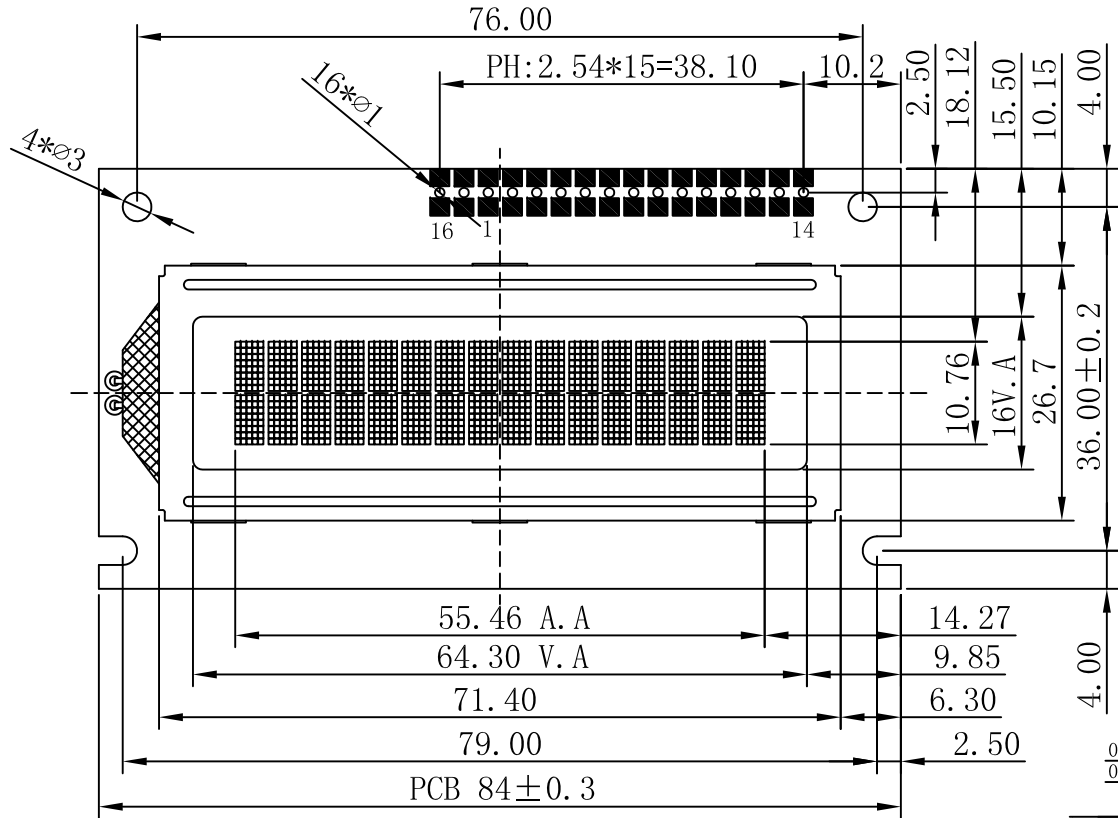


Revised Record

1.0	New issue	2014-07-31
2.0	see NOTE: in drawing for detail.	2017-02-27

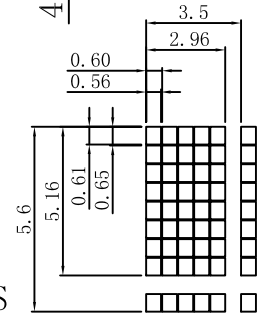
--	--	--	--	--	--	--	--	--	--



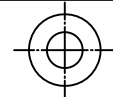
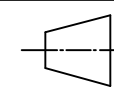
INTERFACE	
1	VSS
2	VDD(5V)
3	V0
4	RS
5	RW
6	E
7	DB0
8	DB1
9	DB2
10	DB3
11	DB4
12	DB5
13	DB6
14	DB7
15	LED-K
16	LED-A(5V)

NOTE:  
 1. J3 & J4 should be shortened;  
 2. R8-Backlight current limiting resistor: 1206, 1.5K Ohm, 5%;  
 3. Fixed contrast, R0 used 0805 2K Ohm, 5%

- NOTES:
- |                            |                                       |
|----------------------------|---------------------------------------|
| 01. DISPLAY TYPE:          | STN/POSITIVE(Y-G)/TRANSFLECTIVE RoHS  |
| 02. OPERATING VOLTAGE:     | VOP=4.5V,VDD=5.0V                     |
| 03. OPERATING TEMPERATURE: | -20°C~+70°C                           |
| 04. STORAGE TEMPERATURE:   | -30°C~+80°C                           |
| 05. DRIVE MODE:            | 1/16DUTY,1/5BIAS                      |
| 06. VIEWING DIRECTION:     | 12:00                                 |
| 07. DRIVE IC:              | SPLC780D-013A(OR-EQV)                 |
| 08. CONNECTOR:             | 22500116CNGOMU-01 by JINLING or equiv |
| 09. BACKLIGHT:             | SIDE(LED):Y-G,I=20MA                  |
| 10. CUSTOMER'S PART ID:    |                                       |



**BLAZE** Blaze Display Technology Co.,Ltd.

DESIGNED BY: BDT-21	<b>BCB1602-05C</b>	VERSION: 2.0
CHECKED BY: BDT-04	 	PAGE 1 OF 1
APPROVED BY: BDT-01		UNIT: mm
Website: <a href="http://www.blazedisplay.com">http://www.blazedisplay.com</a>		DATE: 27-FEB-2017