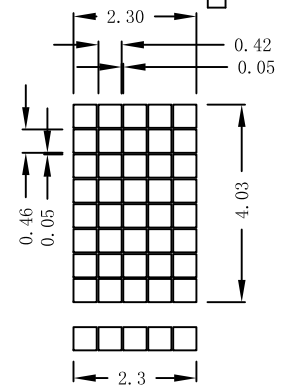
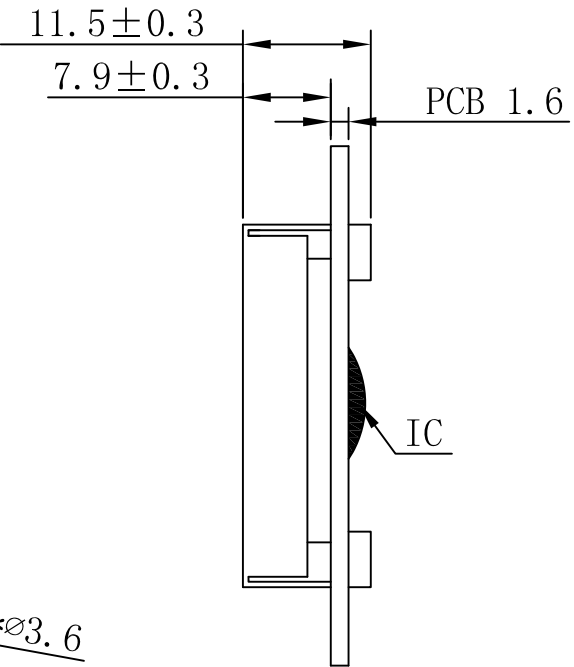
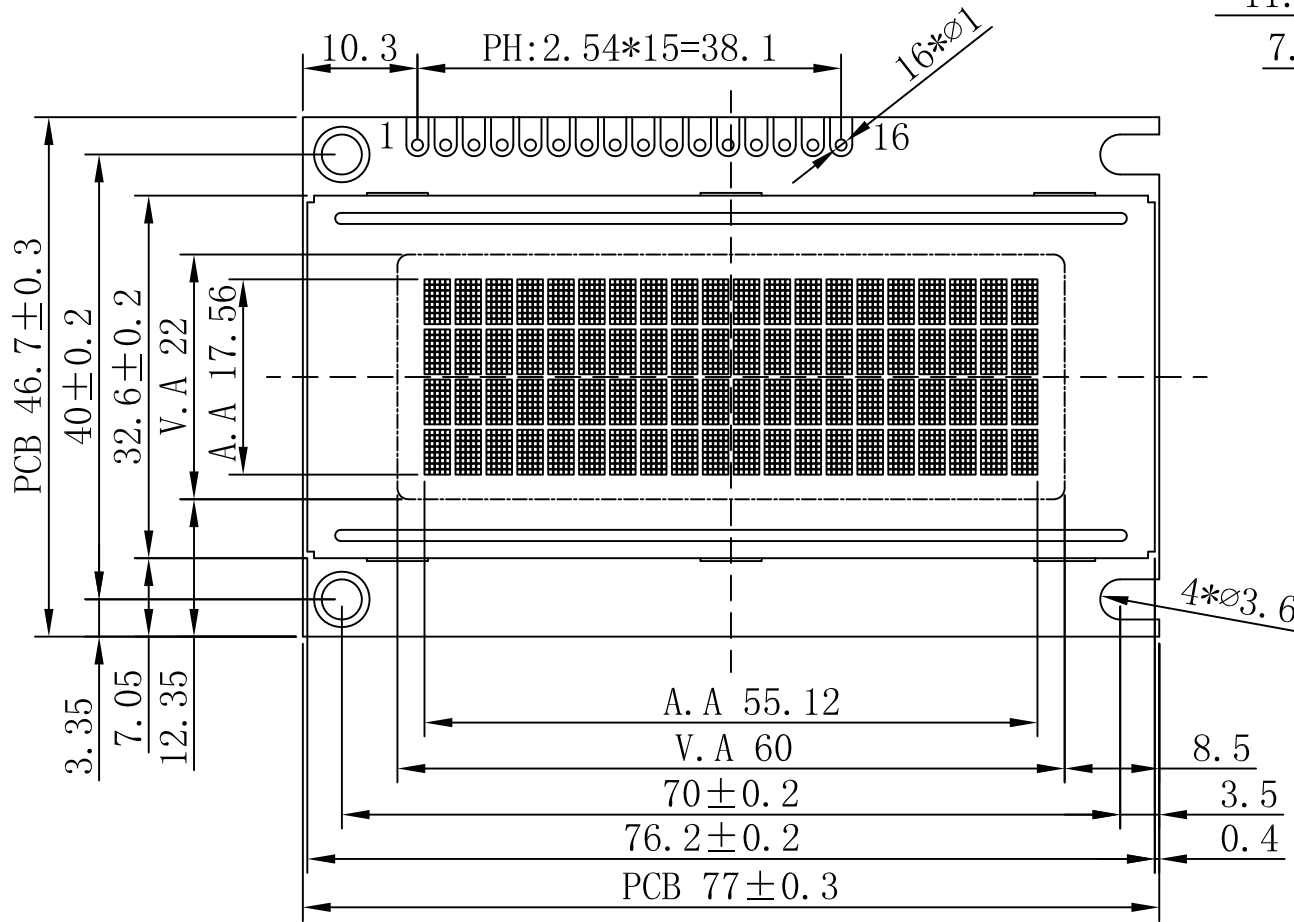


Revised Record

1.0

New issue

2011-07-21



INTERFACE

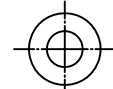
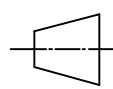
1	VSS
2	VDD
3	V0
4	RS
5	RW
6	E
7	DB0
8	DB1
9	DB2
10	DB3
11	DB4
12	DB5
13	DB6
14	DB7
15	LED-A
16	LED-K

Customer's Choices:

DISPLAY TYPE:	
View angle:	
Temp:	
Voltage:	
IC:	
Fonts:	
Backlight:	
Other:	

- NOTES:
- 01. DISPLAY TYPE: STN-BLUE/NEGATIVE/TRANSMISSIVE RoHS
 - 02. OPERATING VOLTAGE: VOP:4.5V,VDD=5.0V
 - 03. OPERATING TEMPERATURE: -20°C~+70°C
 - 04. STORAGE TEMPERATURE: -30°C~+80°C
 - 05. DRIVE MODE: 1/16DUTY,1/5BIAS
 - 06. VIEWING DIRECTION: 6:00
 - 07. DRIVE IC: ST7066U(OR-EQV)
 - 08. CONNECTOR: ZEBER
 - 09. BACKLIGHT: LED(WHITE)
 - 10. CUSTOMER'S PART ID: BLAZE_STANDARD_PRODUCT

BLAZE Blaze Display Technology Co.,Ltd.

DESIGNED BY: BDT-22	BCB2004-01-SERIES	VERSION: 1.0
CHECKED BY: BDT-07	 	PAGE 1 OF 1
APPROVED BY: BDT-03		UNIT: mm
Website: http://www.blazedisplay.com		DATE: 2011-07-21