

Revised Record

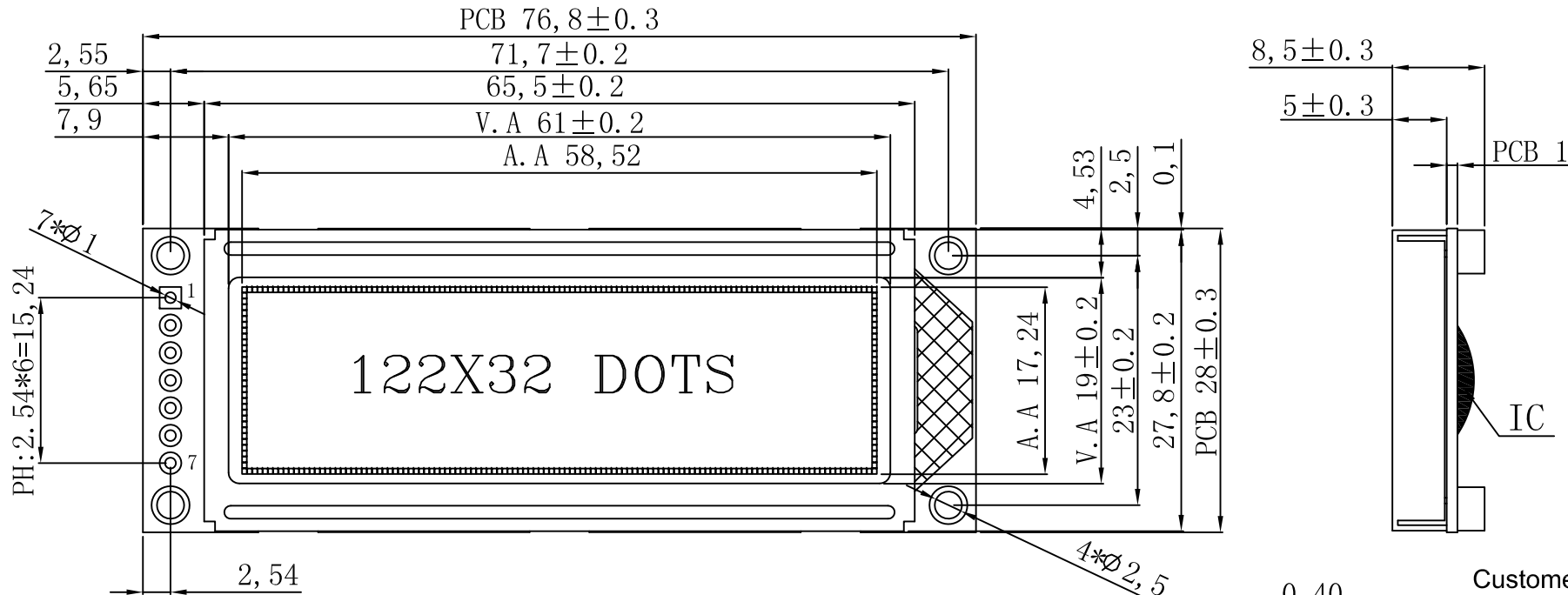
1.0

New issue

2013-12-29

INTERFACE:

1	VSS
2	VDD(5V)
3	/CS
4	SID
5	SCLK
6	/RES
7	LED-A(5V)

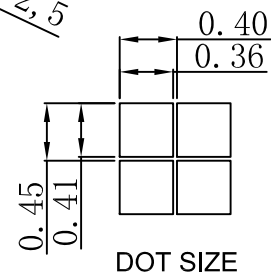


Customer's Choices:

DISPLAY TYPE:	
View angle:	
Temp:	
Voltage:	
IC:	
Backlight:	
Other:	

NOTES:

- 01. DISPLAY TYPE: STN-BLUE/NEGATIVE/TRANSMISSIVE RoHS
- 02. OPERATING VOLTAGE: VOP=4.8V,VDD=5.0V
- 03. OPERATING TEMPERATURE: -20°C~+70°C
- 04. STORAGE TEMPERATURE: -30°C~+80°C
- 05. DRIVE MODE: 1/32DUTY,1/5BIAS
- 06. VIEWING DIRECTION: 6:00
- 07. DRIVE IC: AIP31020(OR-EQV)
- 08. CONNECTOR: ZEBER
- 09. BACKLIGHT: LED(WHITE)
- 10. CUSTOMER'S PART ID:



DOT SIZE

BLAZE Blaze Display Technology Co.,Ltd.

DESIGNED BY: BDT-16	BGB12232-12	VERSION: 1.0
CHECKED BY: BDT-07		PAGE 1 OF 1
APPROVED BY: BDT-02		UNIT: mm
Website: http://www.blazedisplay.com		DATE: 2013-12-29