

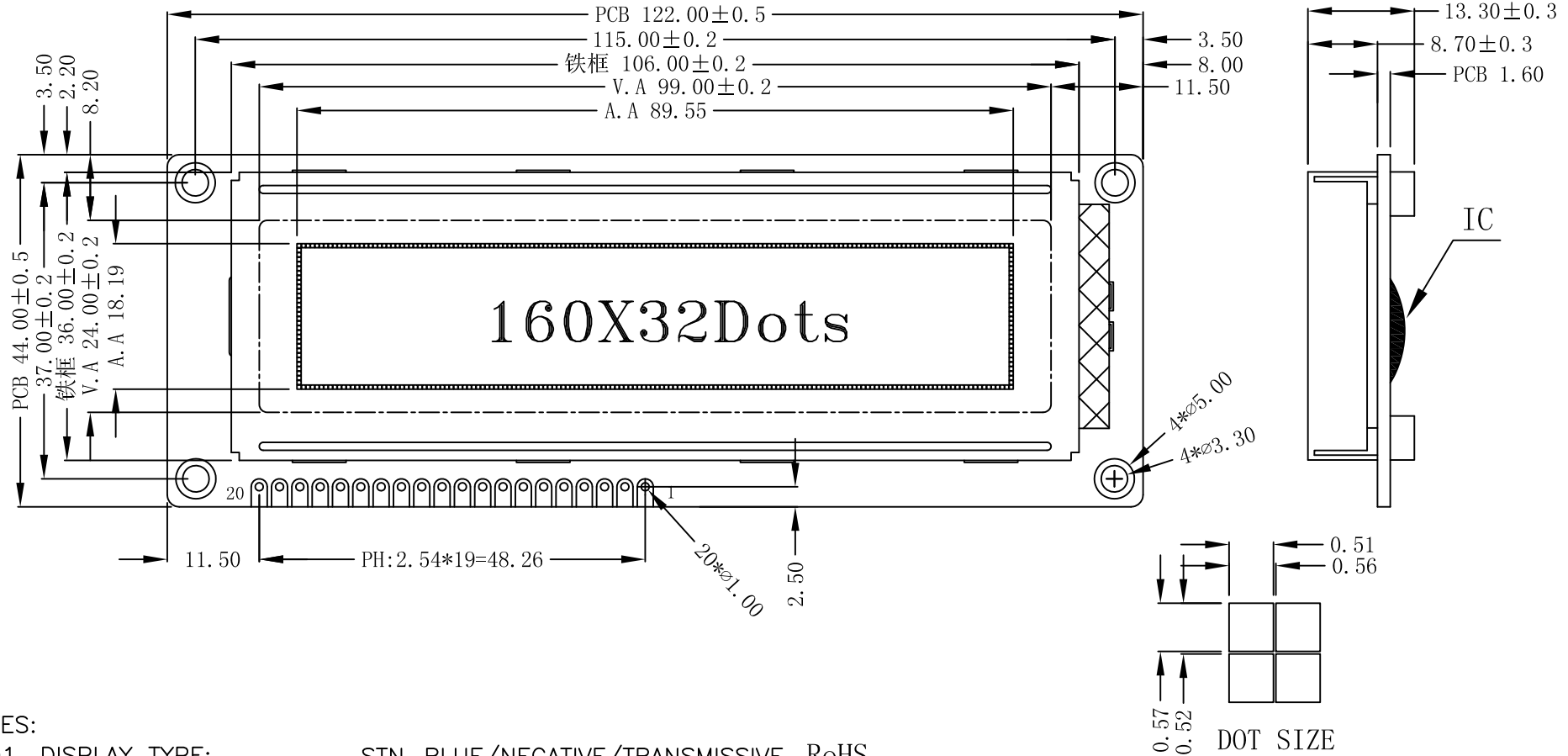
Revised Record

1.0 New issue

2015-03-12

INTERFACE

1	VSS
2	VDD(3.0~5.0V)
3	V0
4	RS(CS)
5	RW(SID)
6	E(CLK)
7	DB0
8	DB1
9	DB2
10	DB3
11	DB4
12	DB5
13	DB6
14	DB7
15	PSB
16	N.C
17	RST
18	N.C
19	LED-A(3.3V)
20	LED-K(0V)



NOTES:

- 01. DISPLAY TYPE: STN-BLUE/NEGATIVE/TRANSMISSIVE RoHS
- 02. OPERATING VOLTAGE: VOP=4.8V,VDD=3.0~5.0V
- 03. OPERATING TEMPERATURE: -20°C~+70°C
- 04. STORAGE TEMPERATURE: -30°C~+80°C
- 05. DRIVE MODE: 1/32DUTY,1/16BIAS
- 06. VIEWING DIRECTION: 6:00
- 07. DRIVE IC: ST7920+ST7921(EQV.)
- 08. CONNECTOR: ZEBER
- 09. BACKLIGHT: LED(WHITE,V=3.3V,I<40MA)
- 10. CUSTOMER'S PART ID: BLAZE\_STANDARD\_PRODUCT

**BLAZE** Blaze Display Technology Co.,Ltd.

DESIGNED BY: BDT-21	<b>BGB16032-05-SERIES</b>	VERSION: 1.0
CHECKED BY: BDT-09		PAGE 1 OF 1
APPROVED BY: BDT-02		UNIT: mm
Website: <a href="http://www.blazedisplay.com">http://www.blazedisplay.com</a>		DATE: 2015-03-12