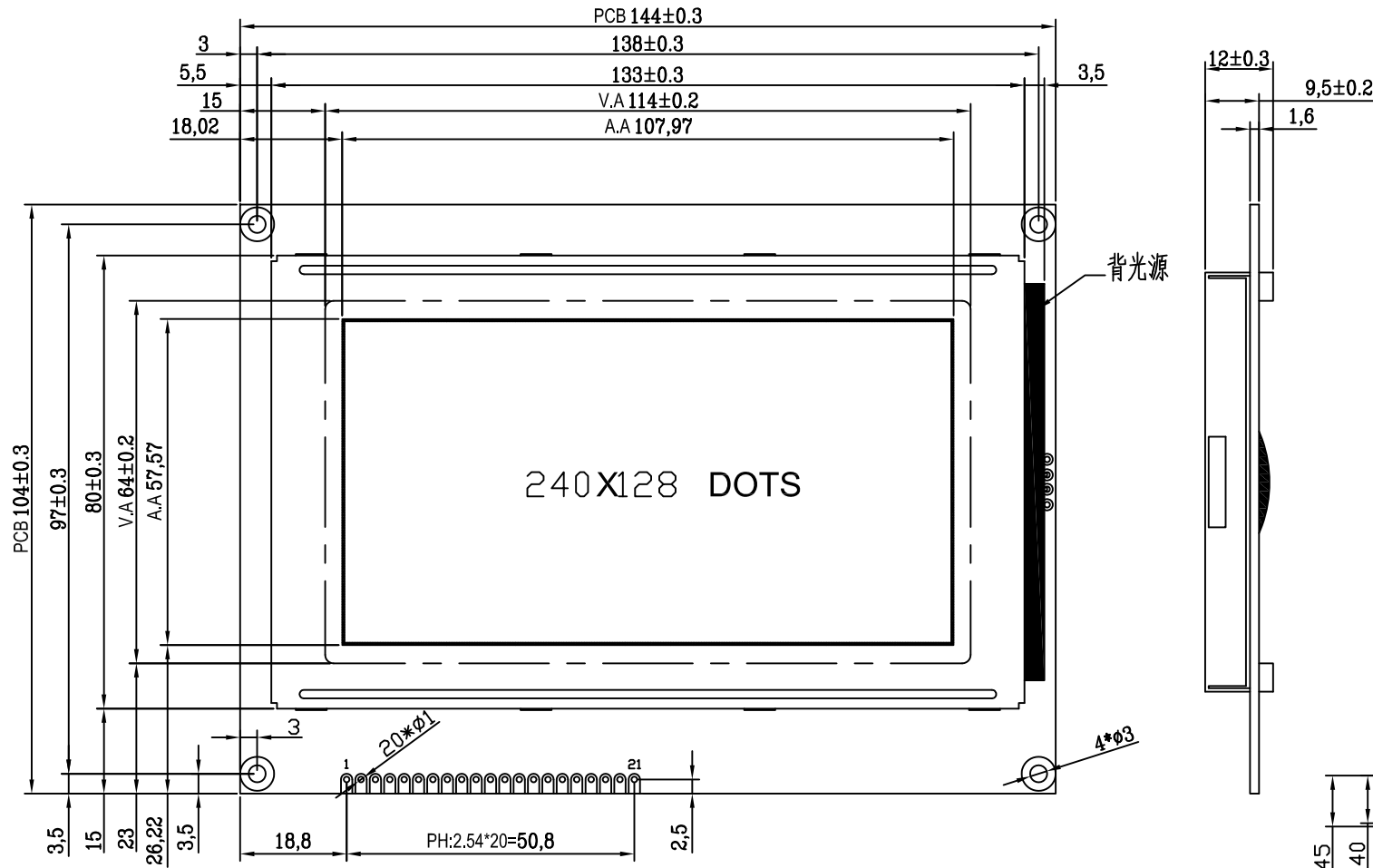


Revised Record	1.0	New issue	2011-09-24						
----------------	-----	-----------	------------	--	--	--	--	--	--



INTERFACE:	
1	FG
2	VSS
3	VCC(5V)
4	V0
5	WR
6	RD
7	CS
8	C/D
9	RST
10	DB0
11	DB1
12	DB2
13	DB3
14	DB4
15	DB5
16	DB6
17	DB7
18	FS
19	VEE
20	LED+(5V)
21	LED-

Customer's Choices:

DISPLAY TYPE:	
View angle:	
Temp:	
Voltage:	
IC:	
Backlight:	
Other:	

NOTES:

- 01. DISPLAY TYPE: STN-BLUE/NEGATIVE/TRANSMISSIVE RoHS
- 02. OPERATING VOLTAGE: VOP=18.0V,VDD=5.0V
- 03. OPERATING TEMPERATURE: -20°C~+70°C
- 04. STORAGE TEMPERATURE: -30°C~+80°C
- 05. DRIVE MODE: 1/128DUTY,1/12BIAS
- 06. VIEWING DIRECTION: 6:00
- 07. DRIVE IC: RA6963(OR-EQV)
- 08. CONNECTOR: ZEBER
- 09. BACKLIGHT: LED(WHITE),I=120MA
- 10. CUSTOMER'S PART ID:

BLAZE Blaze Display Technology Co.,Ltd.

DESIGNED BY: BDT-15	BGB240128-01	VERSION: 1.0
CHECKED BY: BDT-04		PAGE 1 OF 1
APPROVED BY: BDT-01		UNIT: mm
Website: http://www.blazedisplay.com		DATE: 2011-09-24