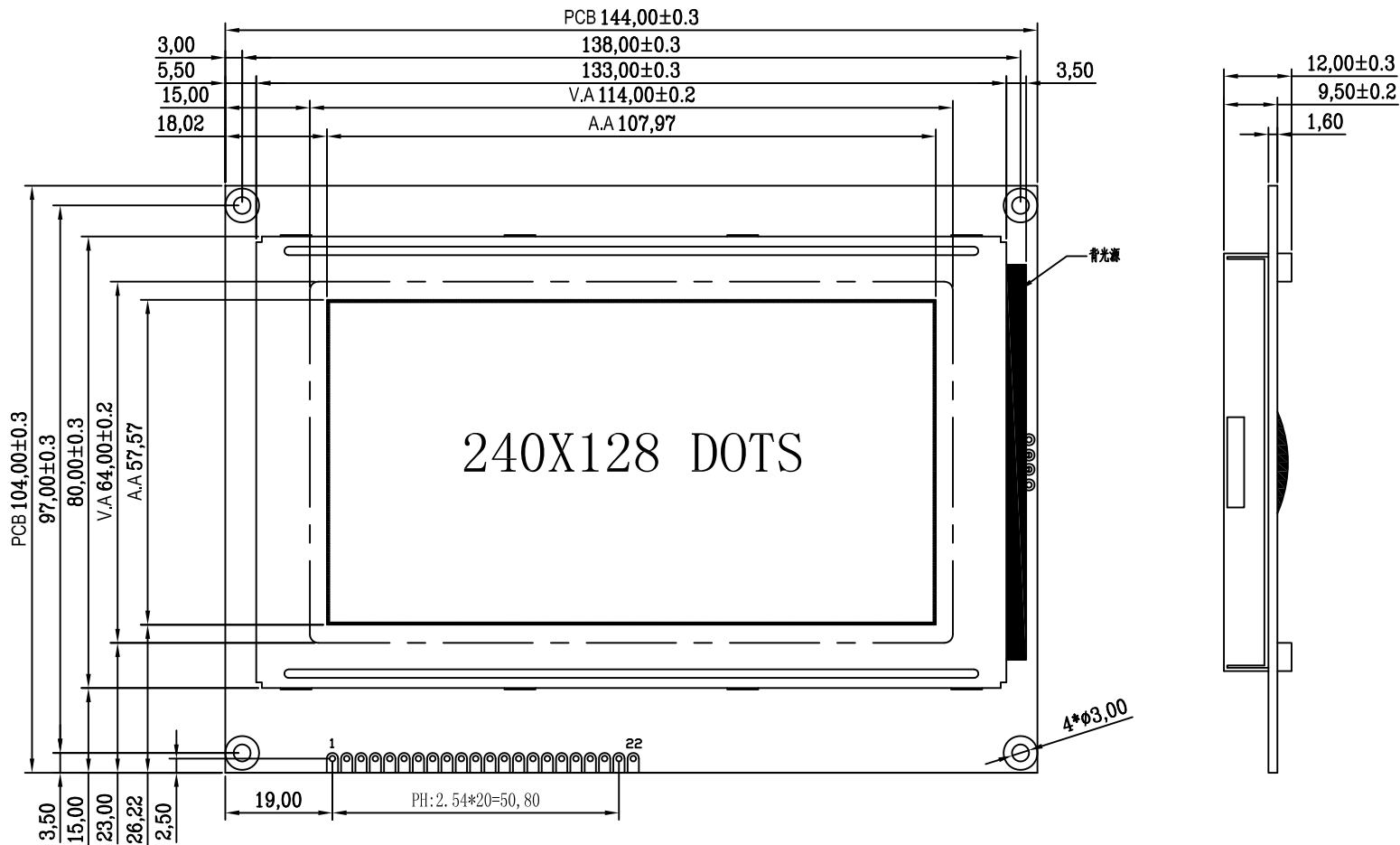


Revised Record	1.0	New issue	2012-12-20						
----------------	-----	-----------	------------	--	--	--	--	--	--



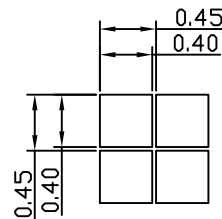
INTERFACE:	
1	VSS
2	VCC(5V)
3	V0
4	RS
5	RD
6	WR
7	DB0
8	DB1
9	DB2
10	DB3
11	DB4
12	DB5
13	DB6
14	DB7
15	CS1
16	CS2
17	RST
18	VEE
19	LED+(5V)
20	LED-
21	INT
22	BUSY

Customer's Choices:

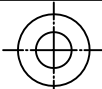
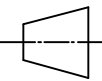
DISPLAY TYPE:	
View angle:	
Temp:	
Voltage:	
IC:	
Backlight:	
Other:	

NOTES:

- 01. DISPLAY TYPE: STN-BLUE/NEGATIVE/TRANSMISSIVE RoHS
- 02. OPERATING VOLTAGE: VOP=18.0V, VDD=5.0V
- 03. OPERATING TEMPERATURE: -20°C~+70°C
- 04. STORAGE TEMPERATURE: -30°C~+80°C
- 05. DRIVE MODE: 1/128DUTY, 1/12BIAS
- 06. VIEWING DIRECTION: 6:00
- 07. DRIVE IC: RA8822(OR-EQV)
- 08. CONNECTOR: ZEBER
- 09. BACKLIGHT: LED(WHITE)
- 10. CUSTOMER'S PART ID:



BLAZE Blaze Display Technology Co., Ltd.

DESIGNED BY: BDT-20	BGB240128-04	VERSION: 1.0
CHECKED BY: BDT-04	 	PAGE 1 OF 1
APPROVED BY: BDT-01		UNIT: mm
Website: http://www.blazedisplay.com		DATE: 2012-12-20