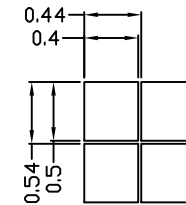
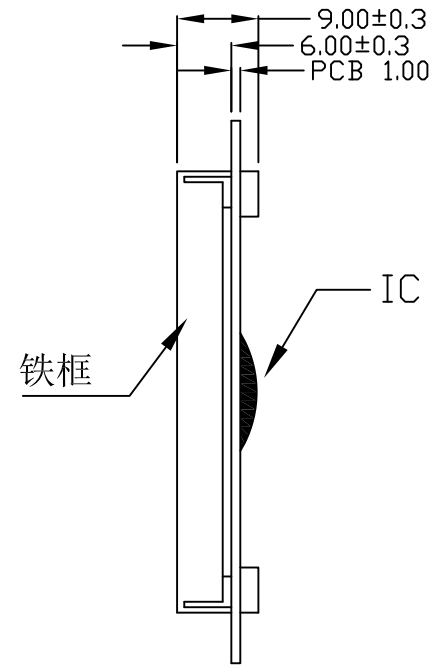
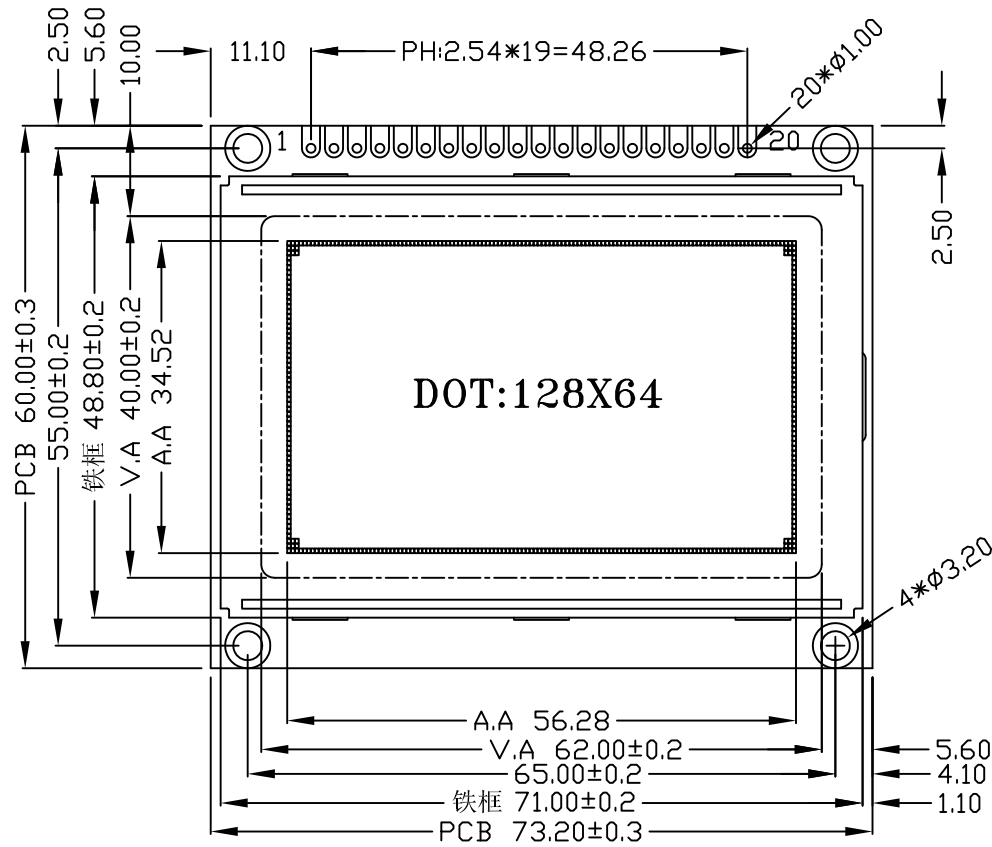


Revised Record	1.0	New issue	2010-12-05						
----------------	-----	-----------	------------	--	--	--	--	--	--



DOT SIZE:

INTERFACE	
1	CS1
2	CS2
3	VSS
4	VDD
5	V0
6	RS
7	R/W
8	E
9	DB0
10	DB1
11	DB2
12	DB3
13	DB4
14	DB5
15	DB6
16	DB7
17	RST
18	VOUT
19	LED-A(5V)
20	LED-K

Customer's Choices:

DISPLAY TYPE:	
View angle:	
Temp:	
Voltage:	
IC:	
Backlight:	
Other:	

NOTES:

- 01. DISPLAY TYPE: STN-BLUE/NEGATIVE/TRANSMISSIVE RoHS
- 02. OPERATING VOLTAGE: VOP=8.7V,VDD=5.0V
- 03. OPERATING TEMPERATURE: -20°C~+70°C
- 04. STORAGE TEMPERATURE: -30°C~+80°C
- 05. DRIVE MODE: 1/64DUTY,1/9BIAS
- 06. VIEWING DIRECTION: 6:00
- 07. DRIVE IC: AIP31107/31108(OR-EQV)
- 08. CONNECTOR: ZEBER
- 09. BACKLIGHT: LED(WHITE)
- 10. CUSTOMER'S PART ID: BLAZE_STANDARD_PRODUCT

BLAZE Blaze Display Technology Co.,Ltd.

DESIGNED BY: BDT-28	BGB12864-03-SERIES	VERSION: 1.0
CHECKED BY: BDT-09		PAGE 1 OF 1
APPROVED BY: BDT-03		UNIT: mm
Website: http://www.blazedisplay.com		DATE: 2010-12-05